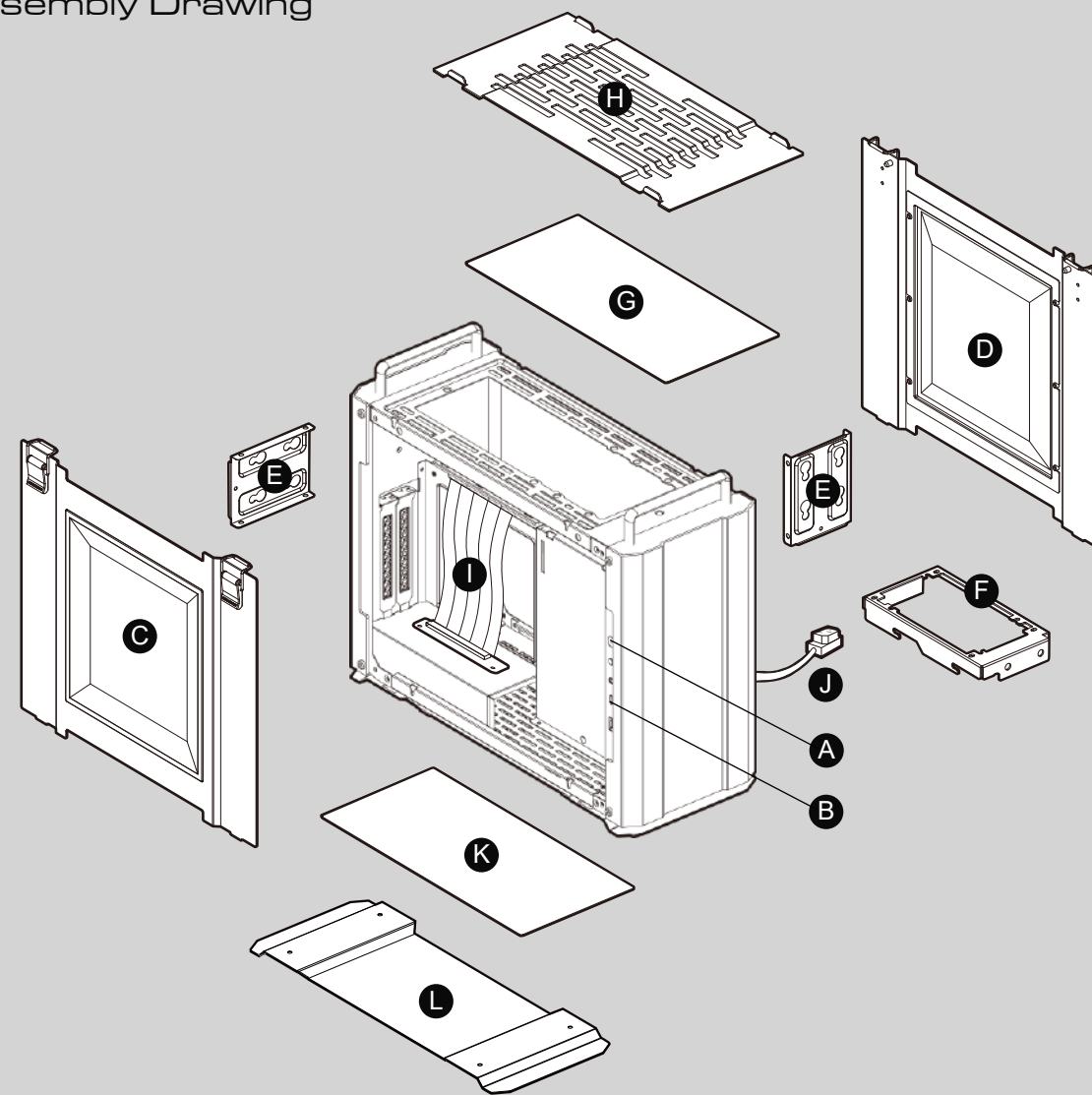


# Assembly Drawing



- A** Power button / Reset button
- B** Type C 3.1 / USB 3.0 / 4 pole headset audio jack
- C** Left panel
- D** Right panel
- E** 2.5" HDD/SSD trays
- F** Power supply bracket
- G** Air filter for top panel
- H** Top panel
- I** PCIe 16x Gen3 High-Speed Riser Card (pre-installed)
- J** Power extension cord (pre-installed)
- K** Air filter for bottom panel
- L** Bottom panel

### Installing the Front I/O Connectors

TYPE-C 3.1	USB 3.0	AUDIO	POWER SW	POWER LED	RESET SW



**COUGAR Dust 2 features military style.**  
It is an Mini-ITX case with optimal compatibility, which is born for travelling gamers and LAN Party dominance. Just grab your rig and go!

#### ENGLISH

- Sturdy and solid aluminum panels
- Ergonomic carry handles make carriage a breeze
- Excellent cooling solution: support for a 280mm water cooling radiator
- Top-notch performance: support for full-sized vertical GPU (up to 330mm) and PSU (160mm PS2 ATX)
- Easy access to USB3.1 Gen-2 Type-C connector

#### 中文

- 坚固耐用的铝合金面板设计
- 一体成型便携把手设计，玩到哪带到哪
- 优化的散热表现，支持 280mm 水冷排
- 强大的硬件兼容性，可支持长度达330mm的高端显卡与 160mm 长的PS2 ATX电源
- 支持最新 USB3.1 Gen-2 Type-C 接口

#### GLOBAL WARRANTY POLICY

##### WARRANTY PERIODS OF COUGAR GAMING DEVICES

Product : COUGAR DUST 2  
Warranty : 1 Year  
• This warranty gives you specific legal rights. You may also have other rights granted under local law. These rights may vary.  
• Only for electrical components.

#### ДАТА ИЗГОТОВЛЕНИЯ ПРОДУКЦИИ

год и месяц изготовления продукции указаны в серийном номере продукта. (существует 2 способа определения даты изготовления, оба способа описаны ниже)

- A** После S/N: первые две цифры означают год, вторые две – месяц изготовления. Например, S/N: H1702000001 означает, что товар был произведен в феврале 2017 года.
- B** После S/N: если указаны буквы, то две буквы представляют цифры из таблицы ниже, и означают год, последующие две цифры – месяц изготовления. Например, S/N: D**AG02**REV1000001 означает, что товар был произведен в феврале 2017 года.

A	B	C	D	E	F	G	H	I	J
1	2	3	4	5	6	7	8	9	0

• Например, AG = 17 = 2017 год

Model Name	DUST 2	
Case Form Factor	Small Form Factor	
Motherboard Type	Mini ITX	
Dimensions (WxHxD)	Exclude Handles	175 (W) x 299 (H) x 403 (D) mm 6.9 (W) x 11.8 (H) x 15.9 (D) in
	Include Handles	175 (W) x 335 (H) x 403 (D) mm 6.9 (W) x 13.2 (H) x 15.9 (D) in
I/O Panel	Type C 3.1 x1, USB3.0 x1, 4 Pole Headset Audio Jack x1, Reset Button	
3.5" Drive Bay	*1	
2.5" Drive Bay	2 (2 SSD trays included)	
Expansion Slots	2 (A PCIe 16x Gen3 high-speed riser card included)	
Cooling Fan Support	Top : 120mm x 2 / 140mm x 2	
Maximum Number of Fans	2 Max.	
Water Cooling Support	Top : *280mm / *240mm / *140mm / 120mm (Max. water block height is under 55mm)	
Max. Graphics Card Length	330 (mm) / 13 in (Max. graphic card height is under 60mm)	
Max. CPU Cooler Height	70 (mm) / 2.8 in	
Max. PSU Length	160 (mm) / 6.3 in	

Specifications might vary depending on the country or region of sale.

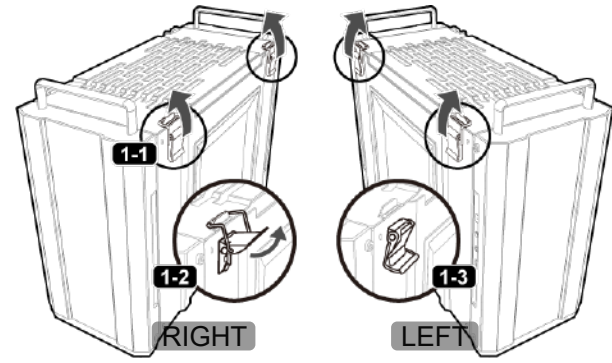
\*Please choose either of a 280mm/240mm/140mm radiator or a 3.5" HDD to install on the top panel.

#### ACCESSORY KIT

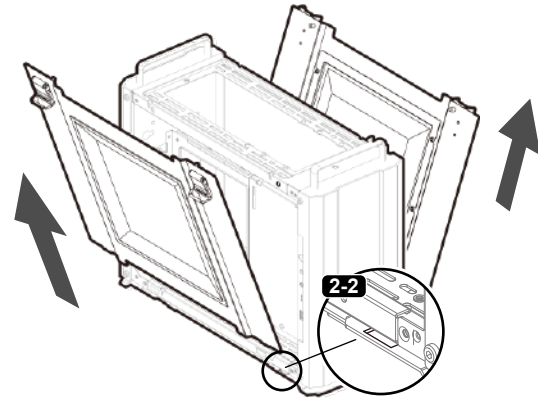
		Motherboard screws & 2.5" SSD screws	X 20
		3.5" HDD screws	X 4
		3.5" HDD rubber mounts	X 4
		Power supply screws	X 7
		Fan screws	X 8
		Cable ties	X 4
		Cable ties	X 3

Removing top and side panels

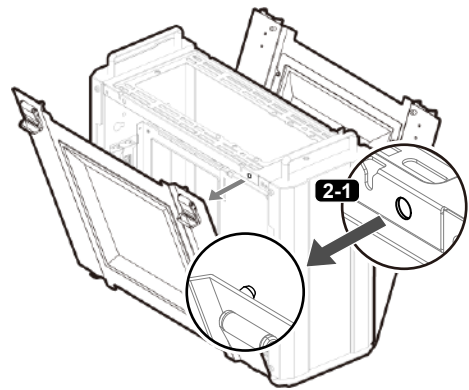
① Open the box buckles of side panels.



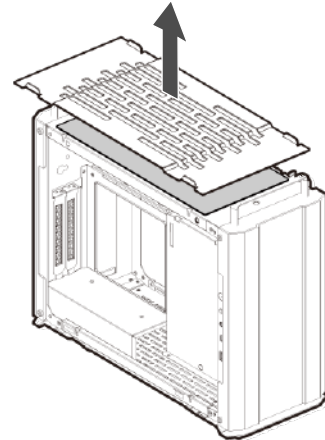
② Remove the base from the slots at bottom.



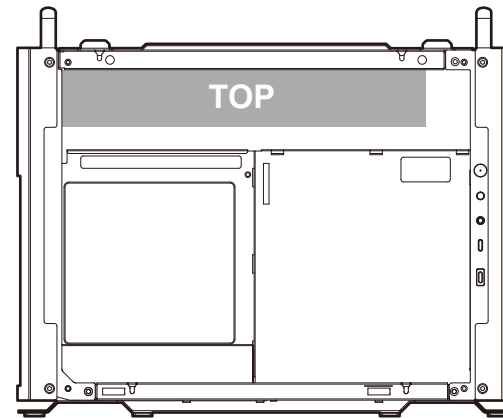
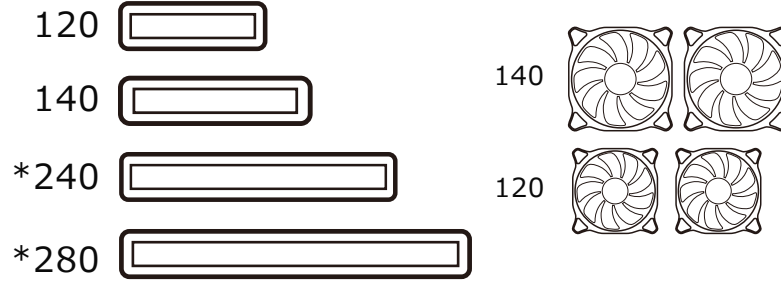
② Please push out the dowel pins from the holes on the top of side panels and tilt the side panels 45° outward.



③ After removing side panels, the top panel can be removed.

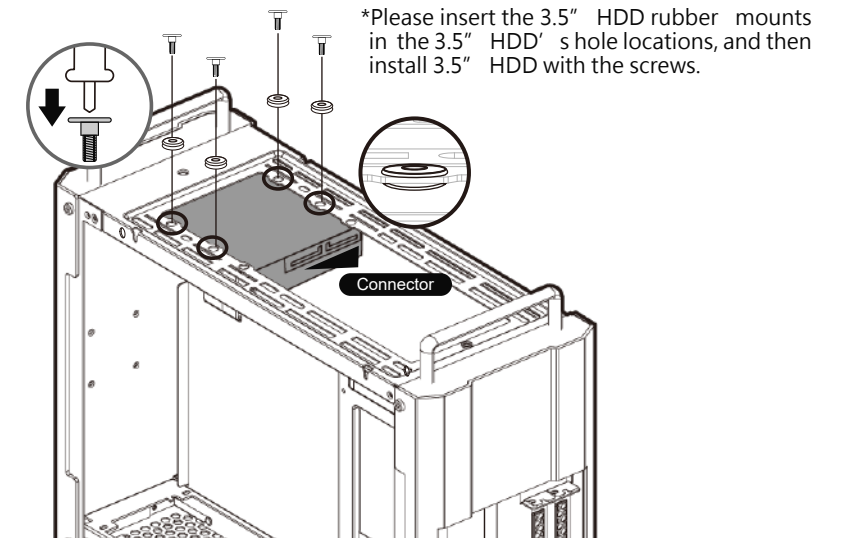
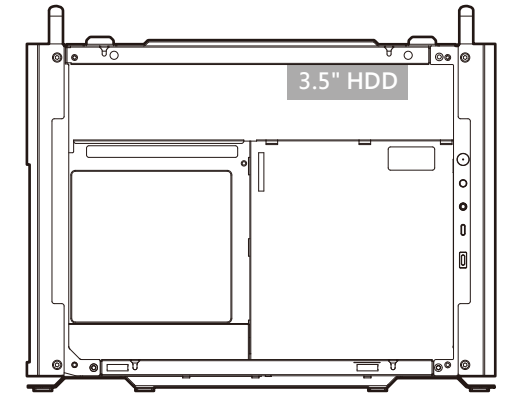


Installing water cooling radiators & cooling fans



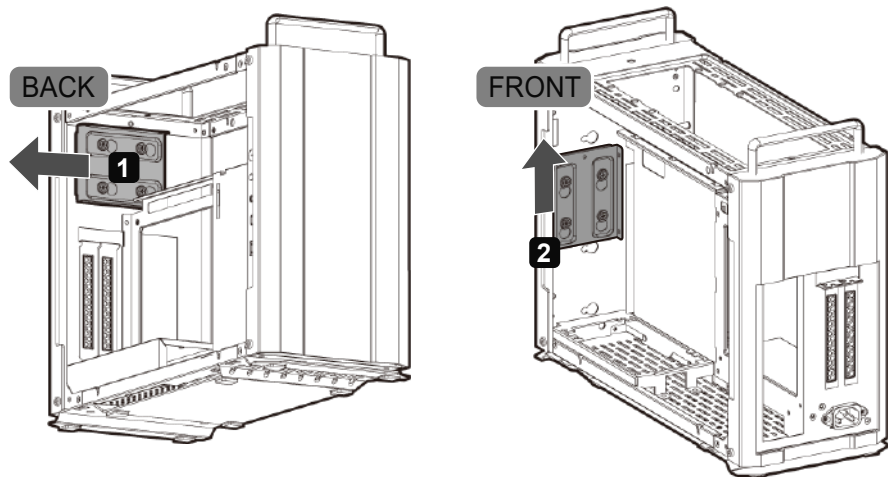
\*Please choose either of a 280mm/240mm radiator or a 3.5" HDD to install on the top panel.  
\*Max. water block height is under 55mm.

Installing the 3.5" HDD

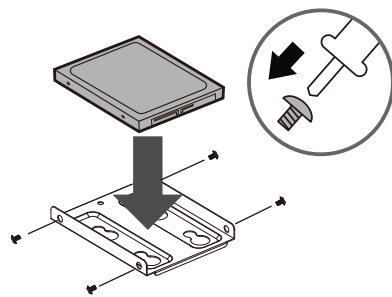


Installing 2.5" SSDs/HDDs

■ Install with trays (There are two SSD trays in this case.)

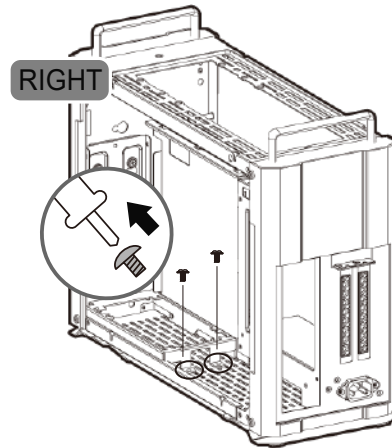


\* Please install the 2.5" SSD first, and then the power supply.

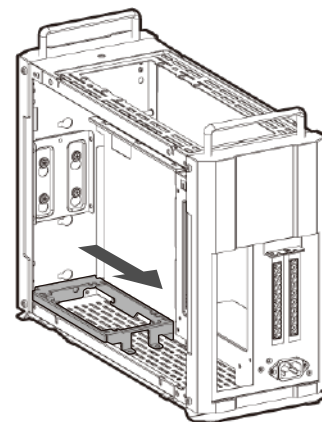


Installing the power supply

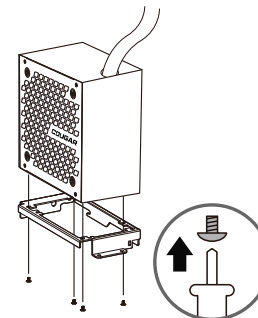
① Please remove the screws of PSU bracket.



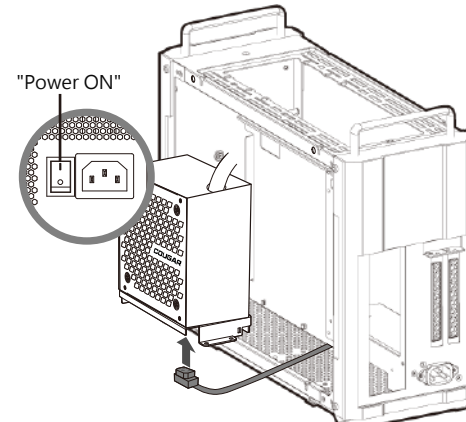
② Please push out the PSU bracket from the notch.



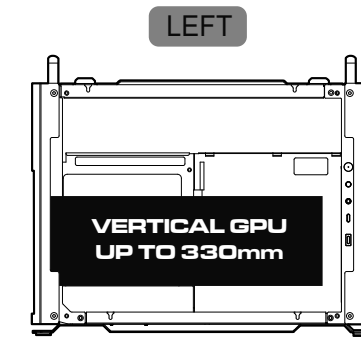
③ Mount the screws of the PSU bracket.



④ Plug the power cord first, and then turn on the switch.

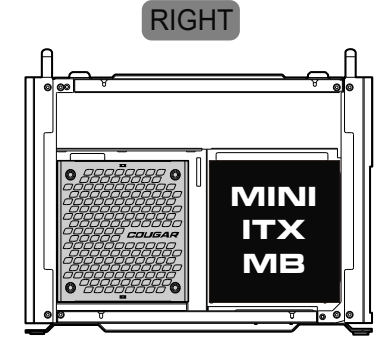


Installing the vertical graphic card



\* Please install the vertical graphic card with the included PCIe 16x Gen3 High-Speed Riser Card.  
\* Max. graphic card height is under 60mm.

Installing the Mini ITX motherboard



\* The maximum PSU length is 160mm.

Compucase Enterprise Co.,Ltd.  
No. 225, Lane 54, An Ho Road Sec. 2 Tainan, Taiwan, R.O.C  
Tel:+886-6-356-0606  
Service E-Mail:service@cougargaming.com

COUGAR USA Technical Service  
Tel: (833) 256-3778  
Mail: rma@compucaseusa.com  
<https://cougargaming.com/support/contact/upload/>

For more information, please visit  
[www.cougargaming.com](http://www.cougargaming.com)  
Compucase Enterprise Co.,Ltd.  
All rights reserved.



Made in China