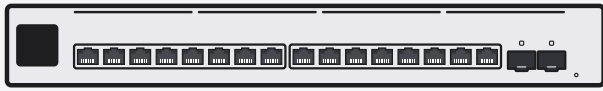


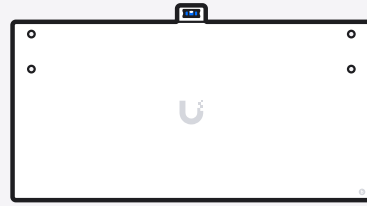


**Pro Max 16**



1x

a



1x

b



2x

c



4x

d



M4

4x

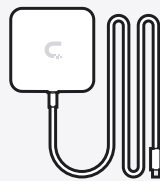
e



M3

2x

f



1x

g



1x

h



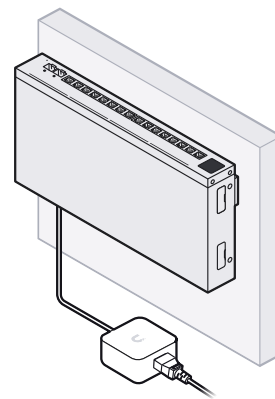
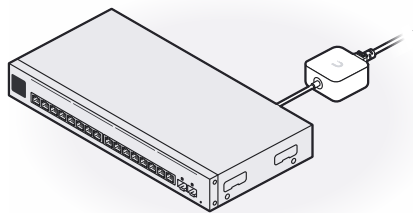
1x

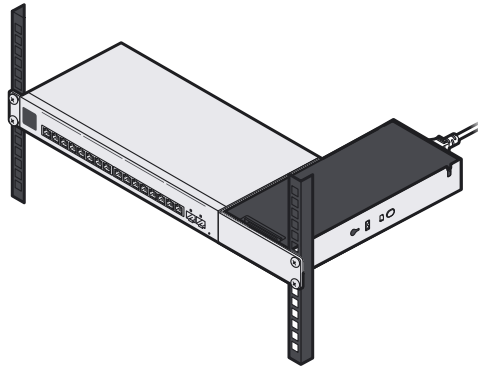
i

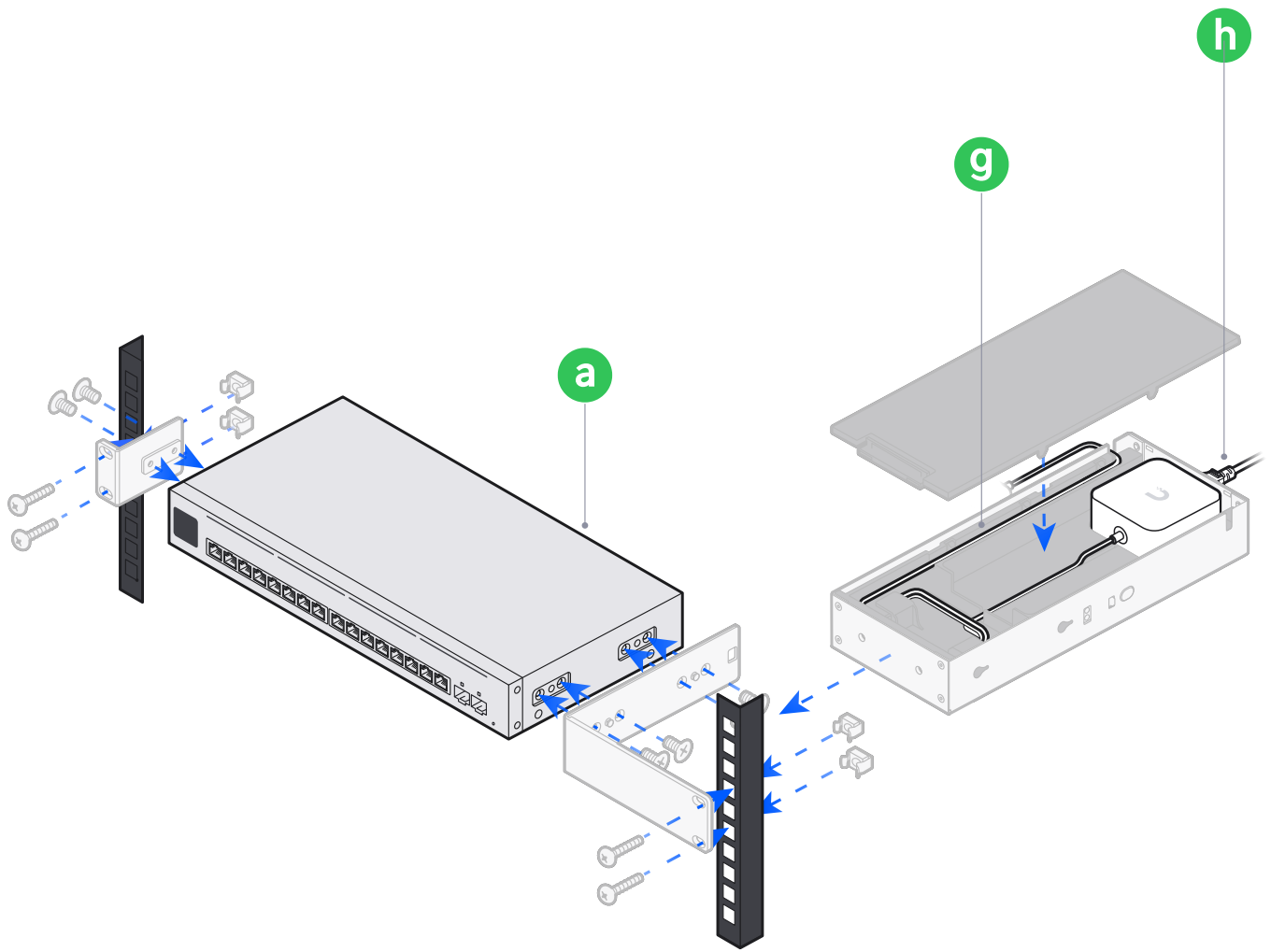


1x

j





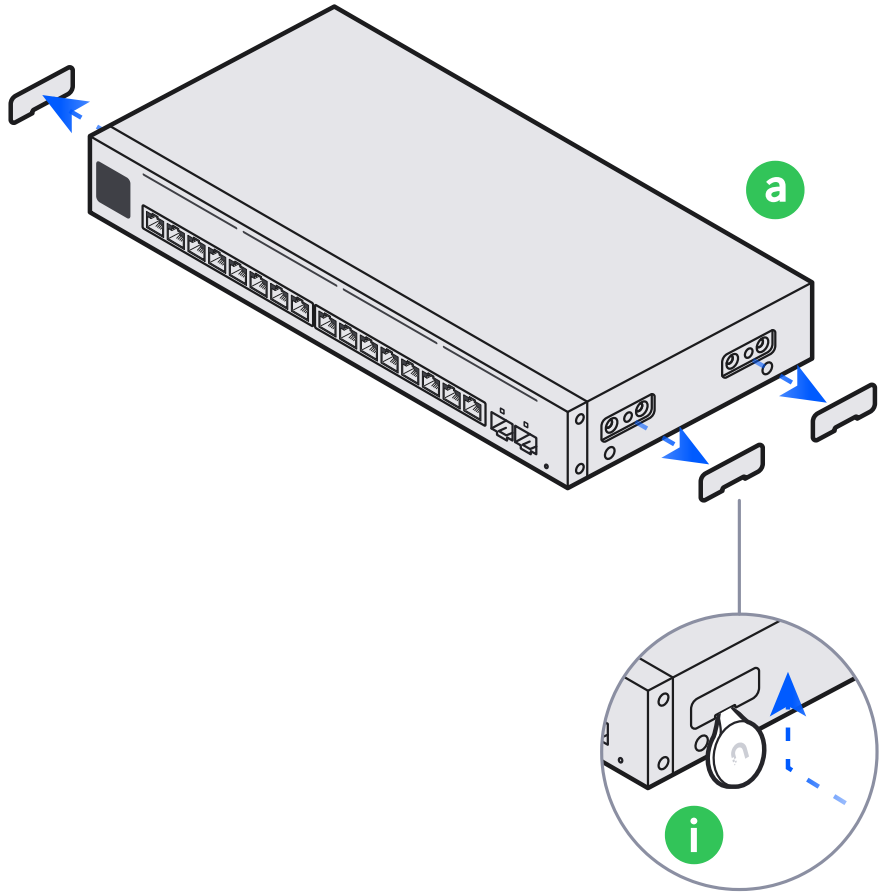
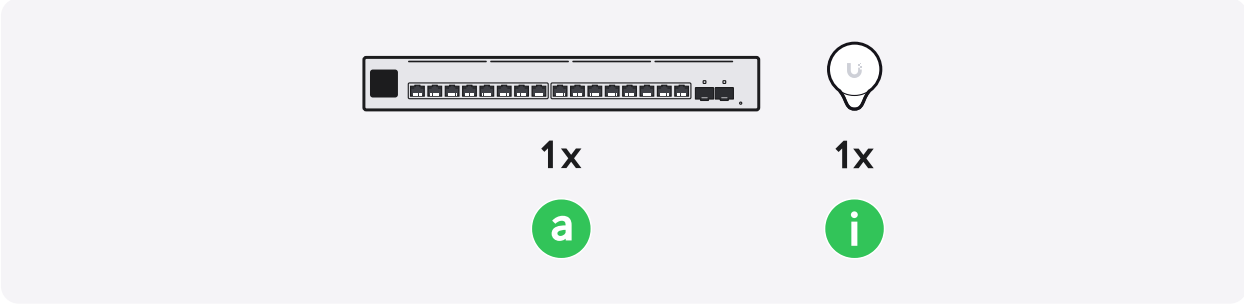


Pro Max 16 Rack Mount

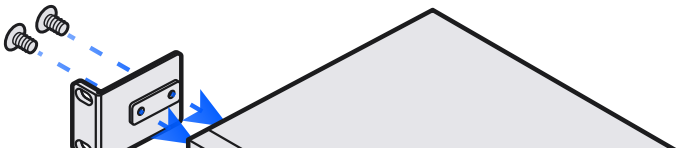
[Buy >](#)

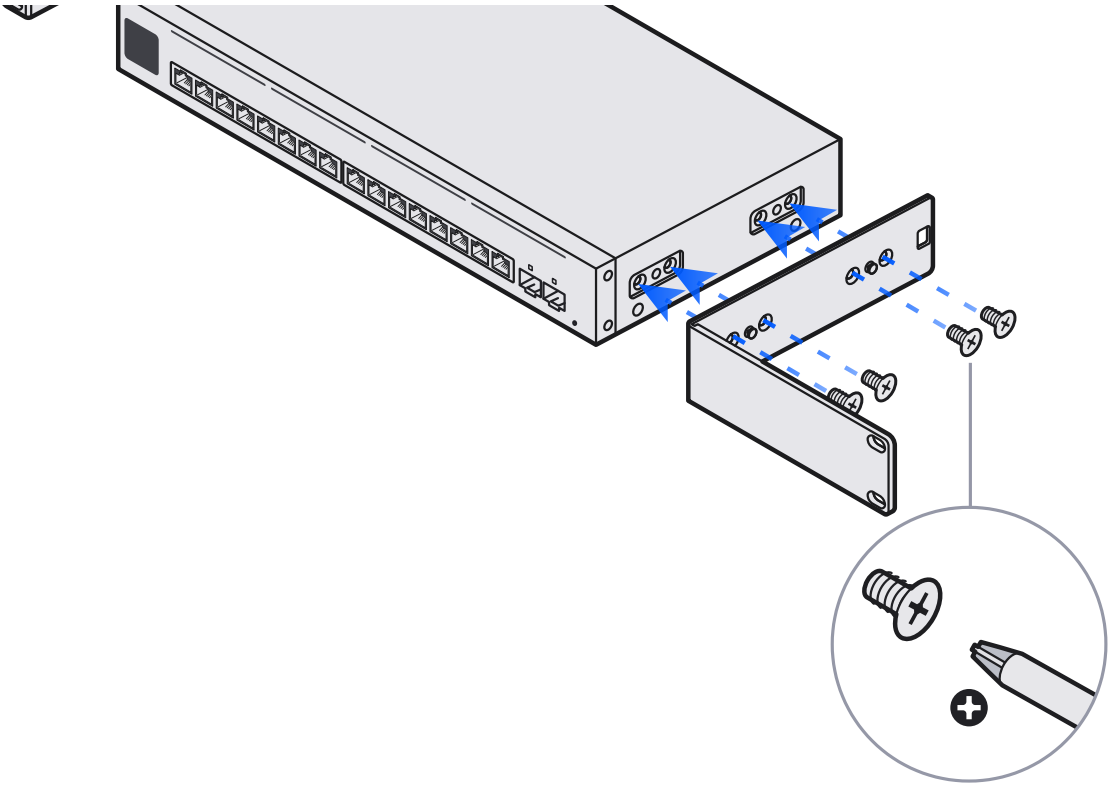
The image shows a blue screwdriver with a plus sign icon above it, a black rack mount unit, and a black L-shaped bracket.

# 1

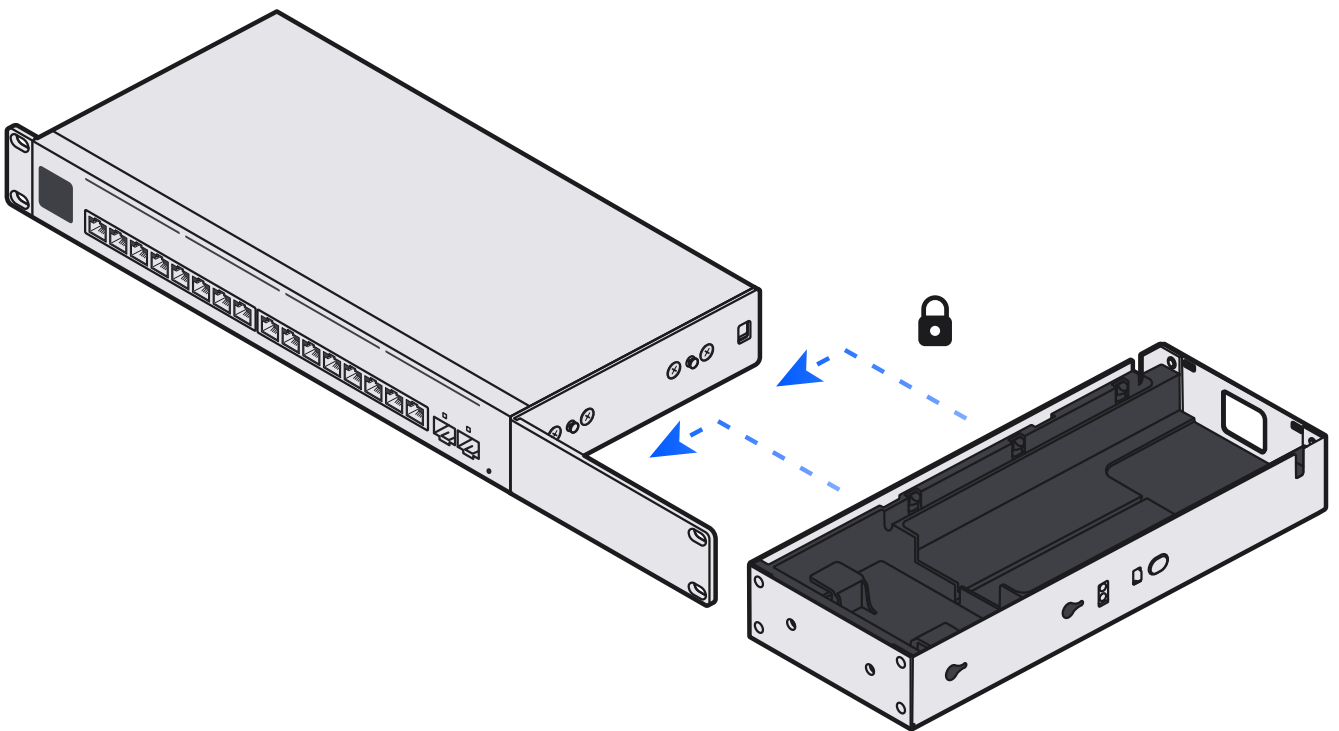


# 2

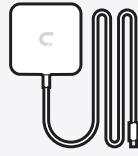




3

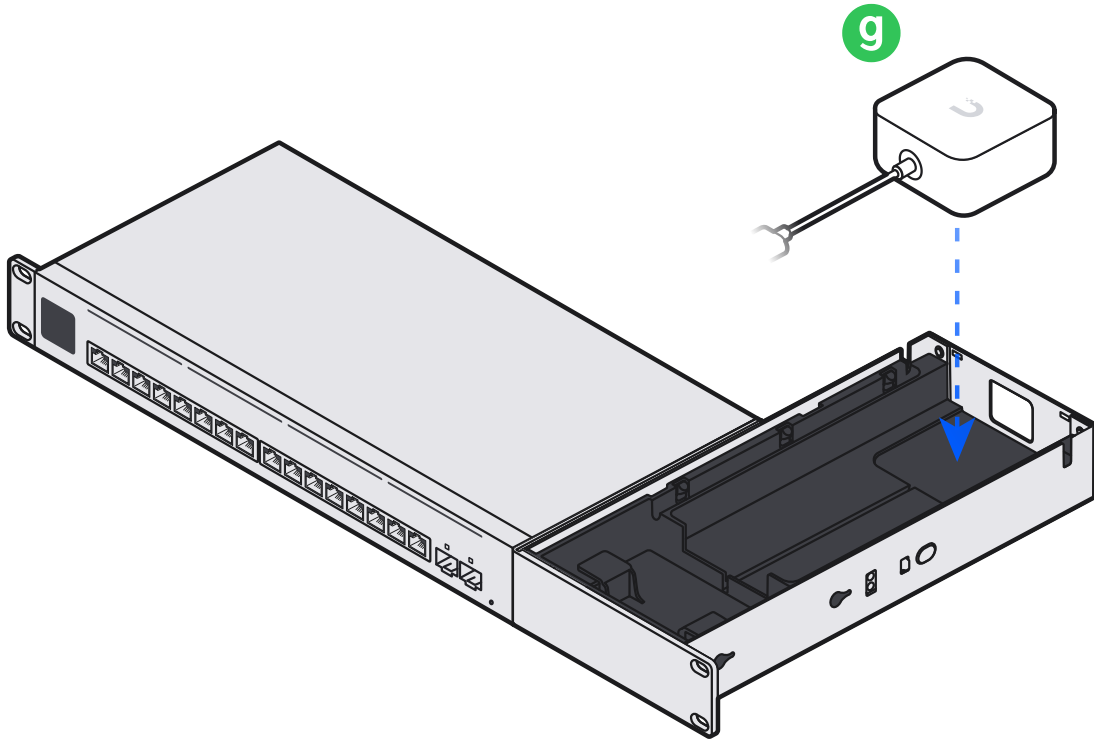


# 4

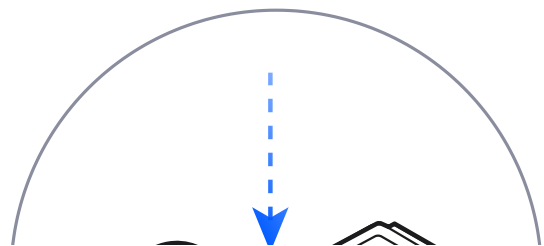


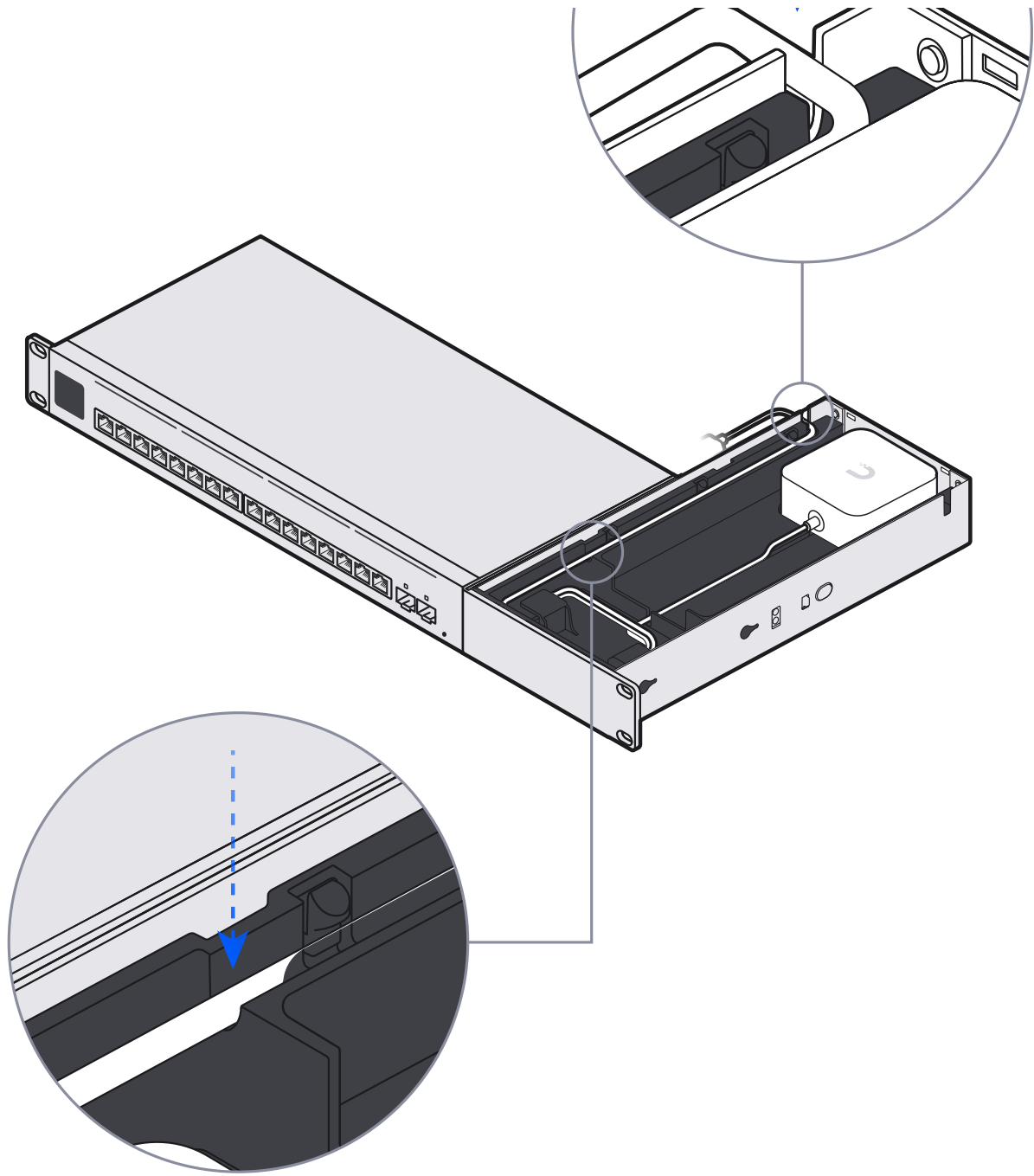
1x

g

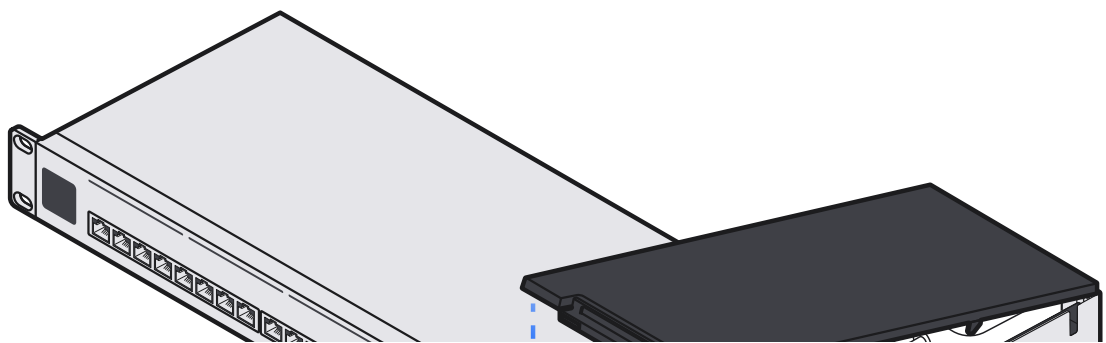


# 5

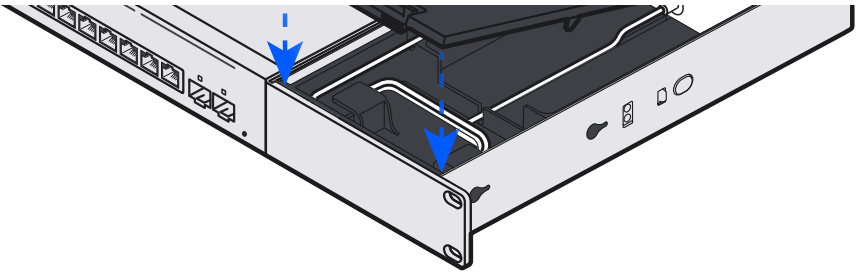




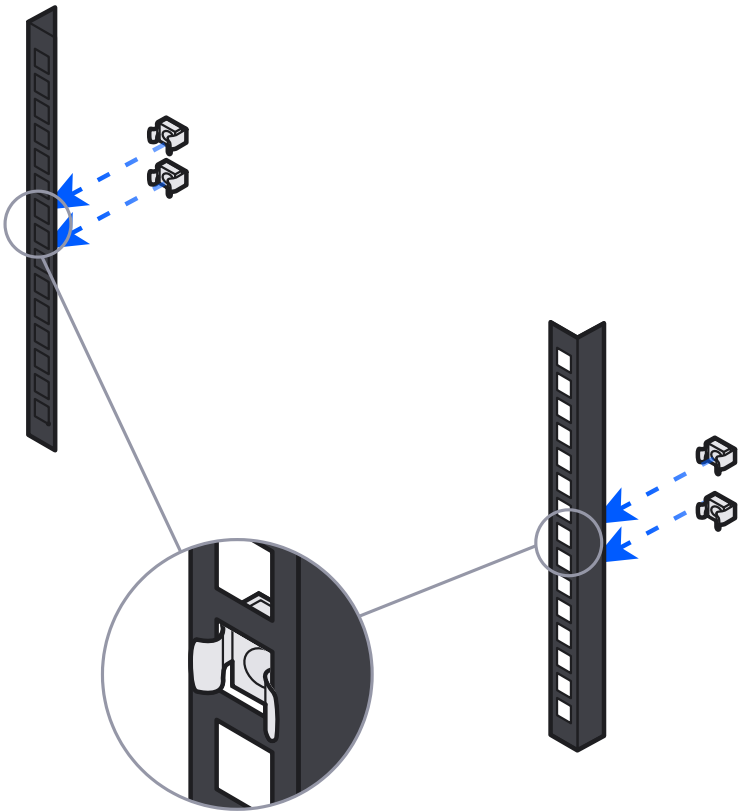
6



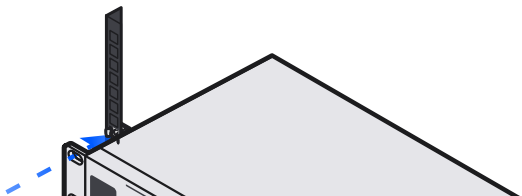


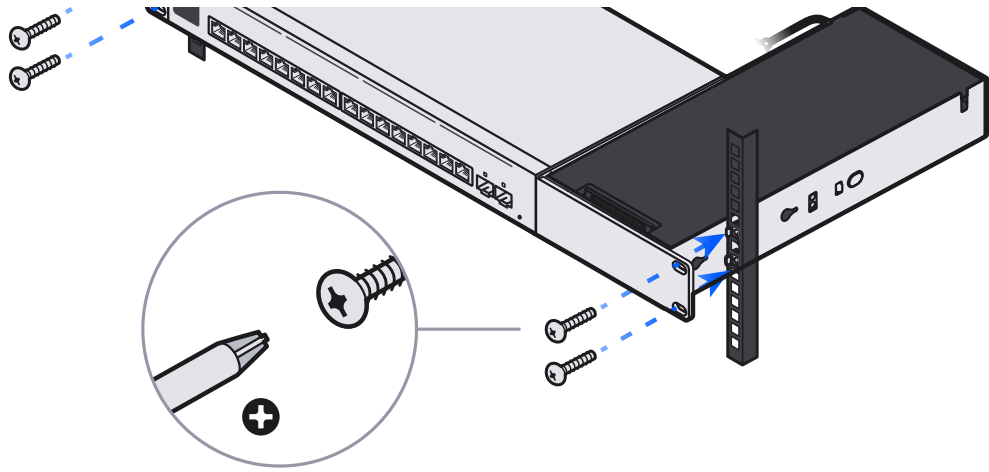


7



8



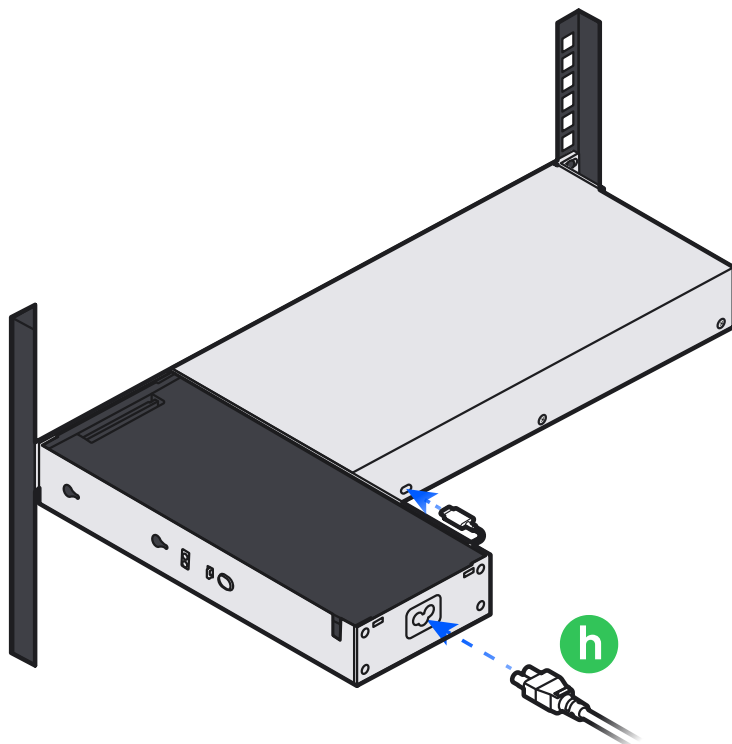


9



1x

h



# 10

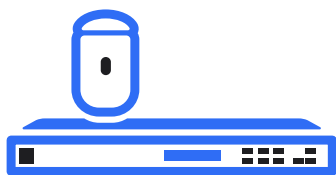
**A**



**10G**



**Internet**



**UniFi Cloud  
Gateway**



**B**



**2.5G**

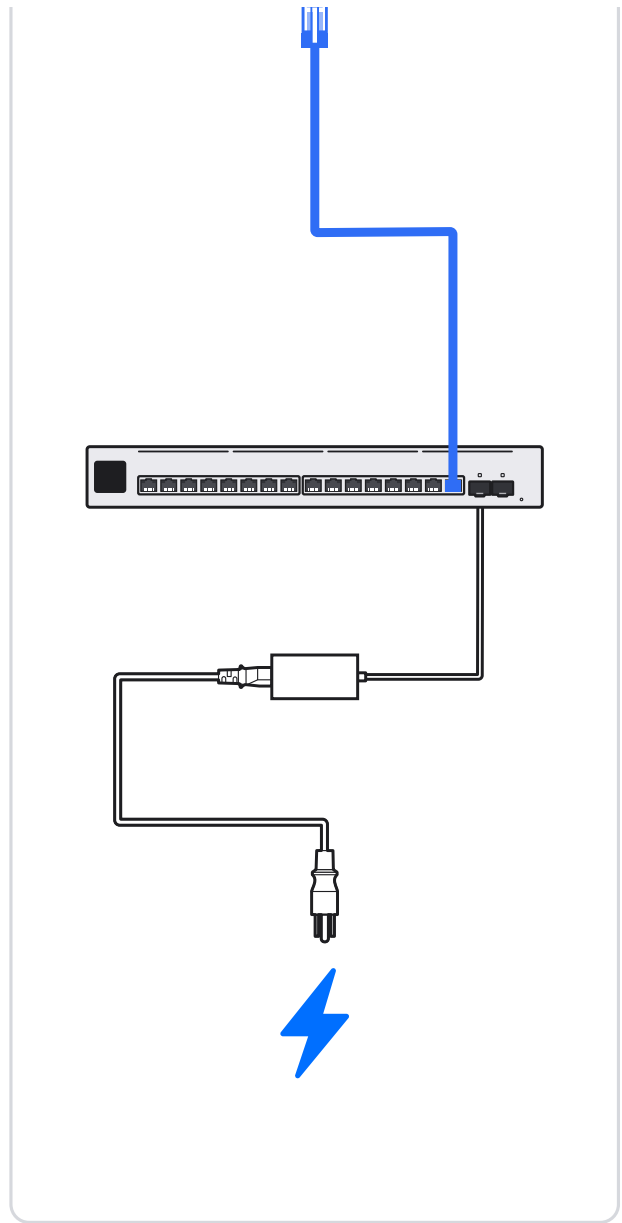
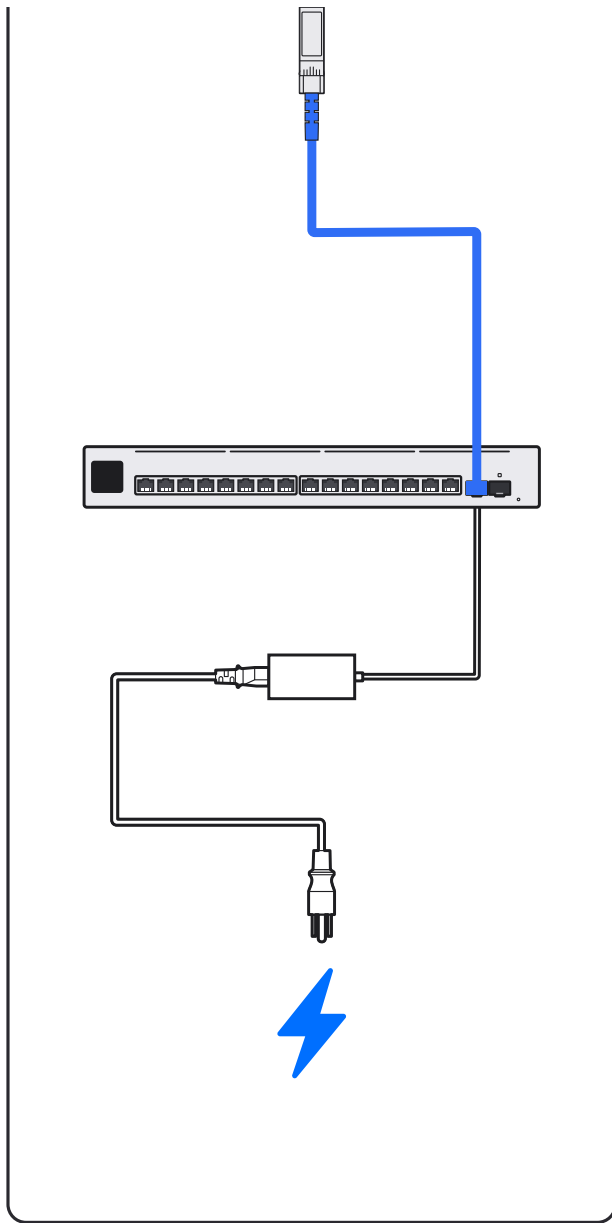


**Internet**



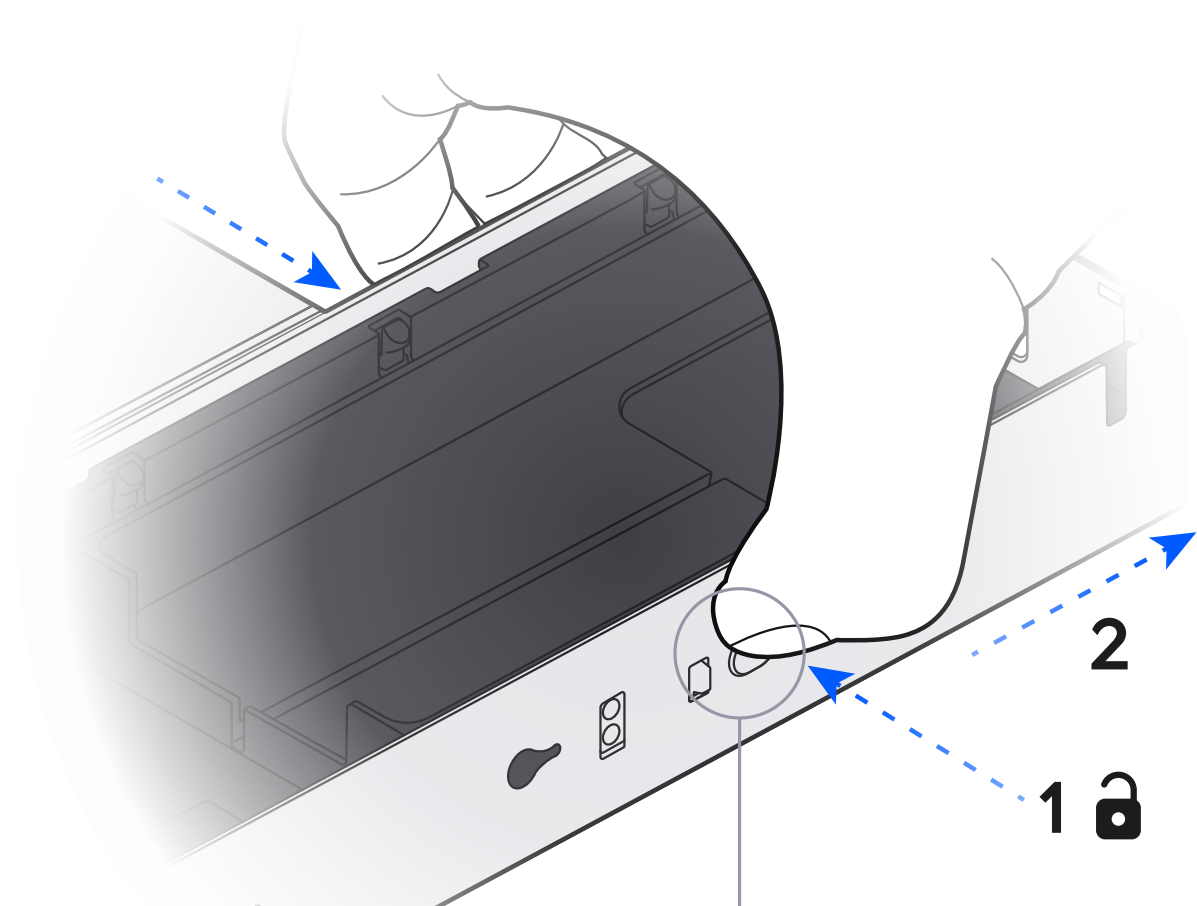
**UniFi Cloud  
Gateway**

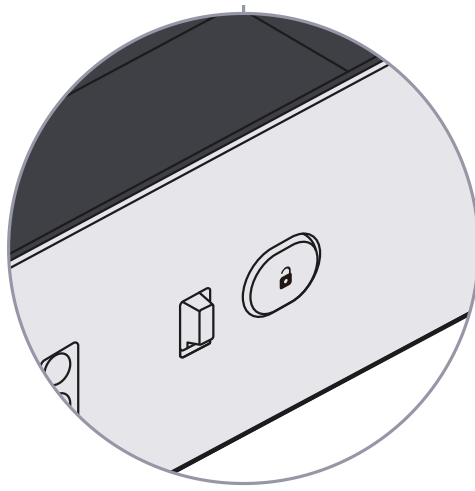




# 11

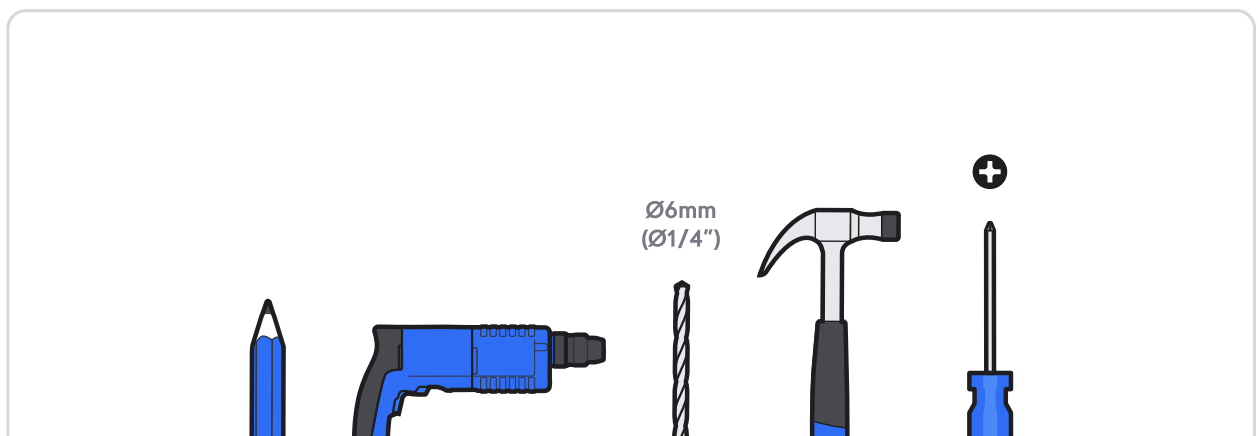
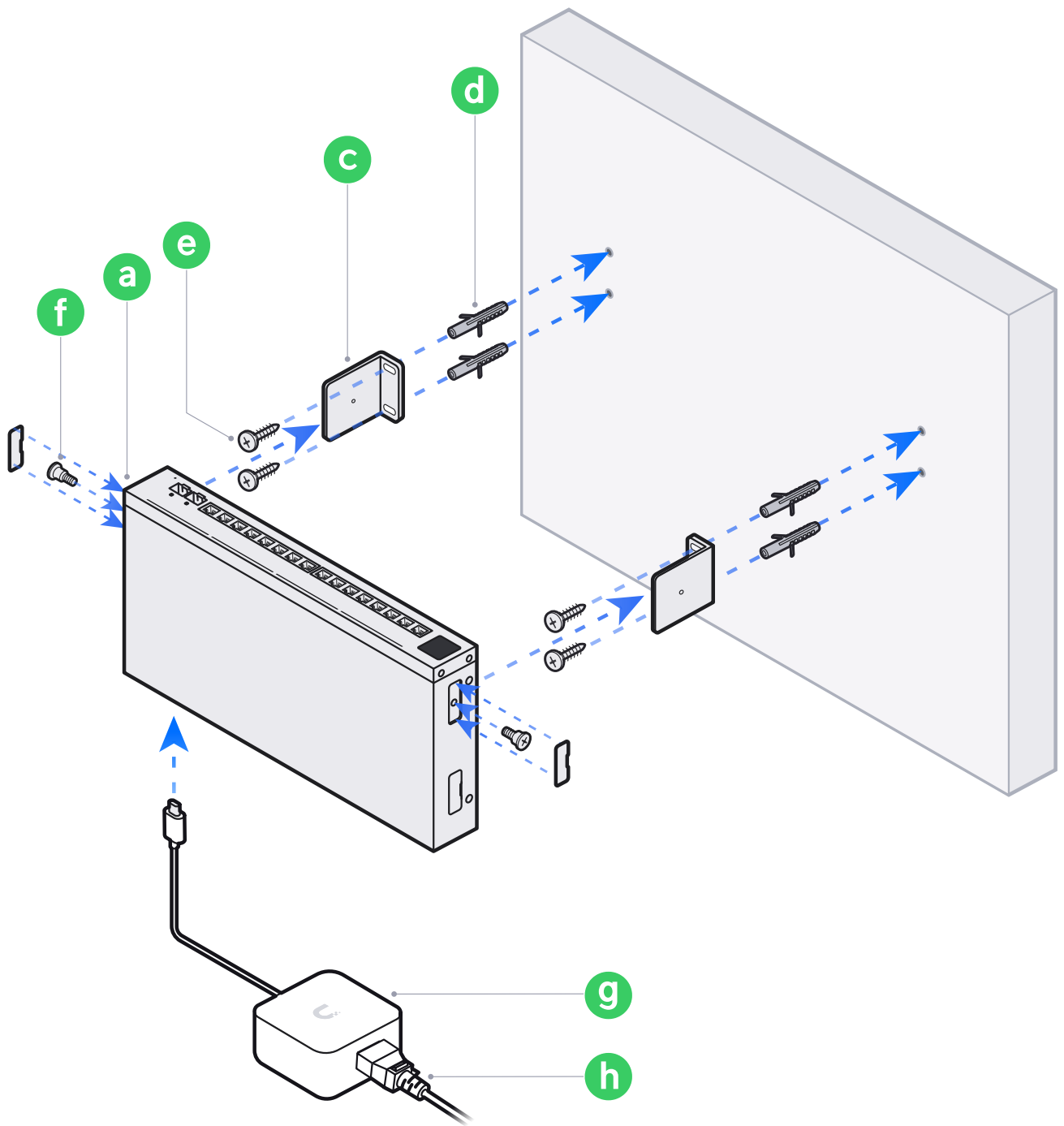






If you need further assistance, visit our [Help Center](#) or contact [Ubiquiti Support](#).

©2024 Ubiquiti Inc. All rights reserved. Ubiquiti, the Ubiquiti U logo and UniFi are trademarks or registered trademarks of Ubiquiti Inc. in the United States and in other countries. Apple and the Apple logo are trademarks of Apple Inc., registered in the U.S. and other countries. App Store is a service mark of Apple Inc., registered in the U.S. and other countries. Android, Google, Google Play, and the Google Play logo are trademarks of Google LLC.



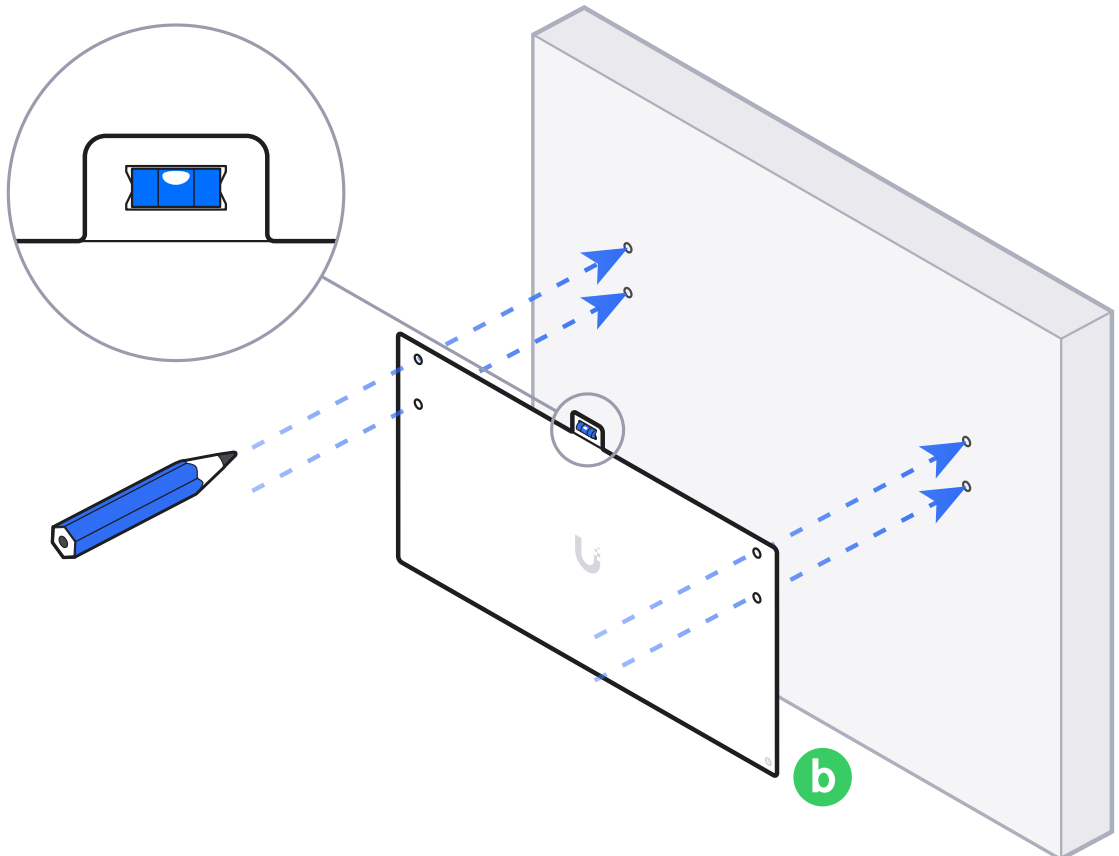


# 1



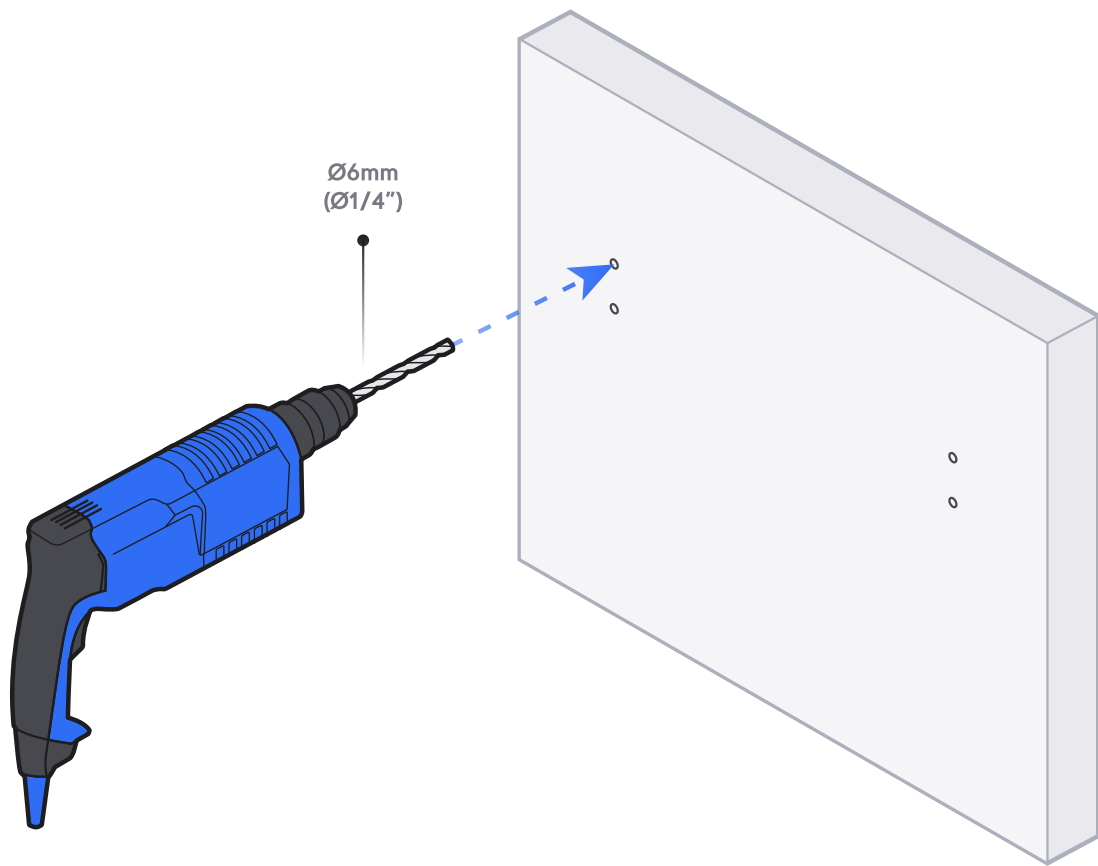
1x

**b**

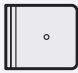









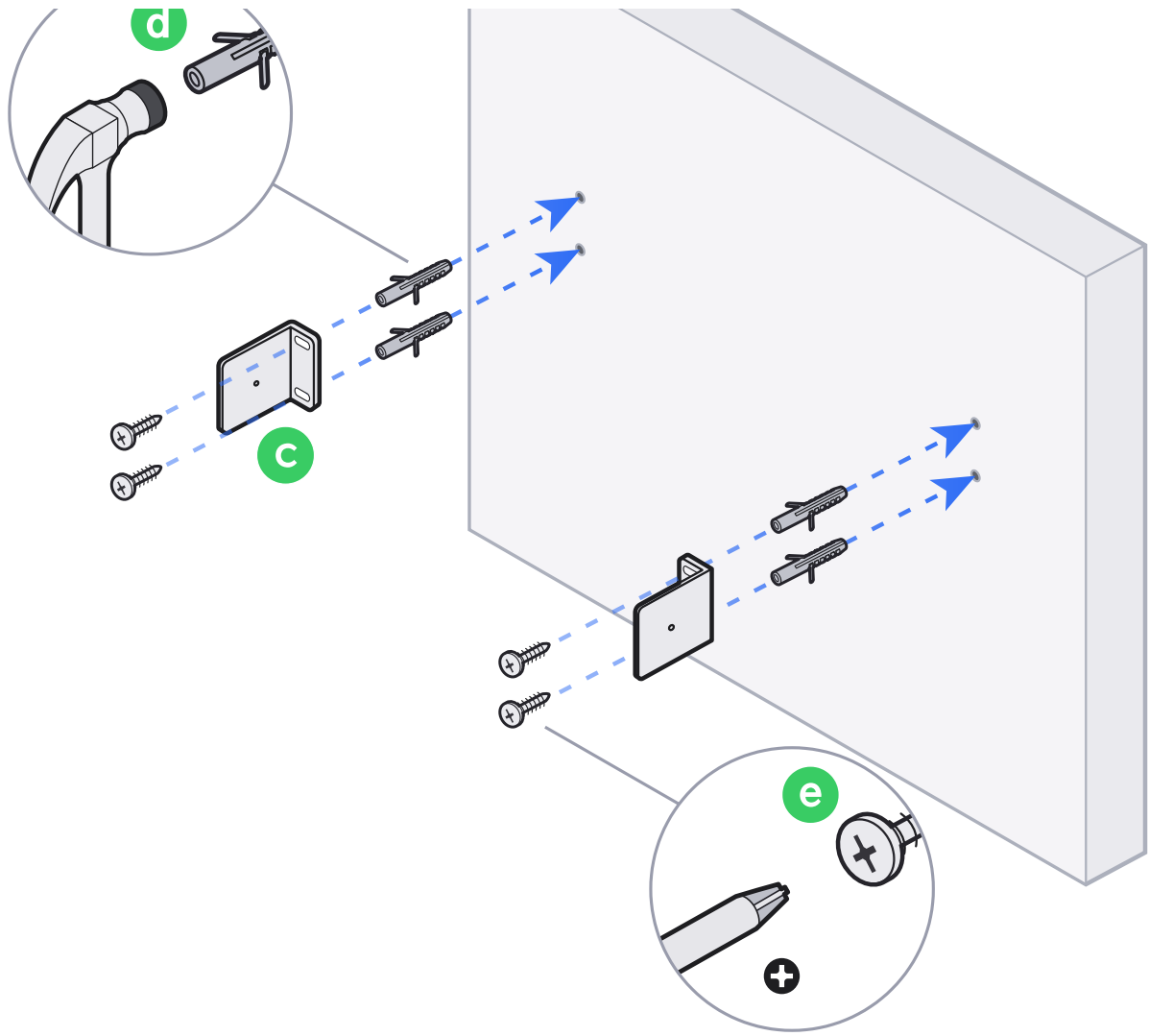
# 2



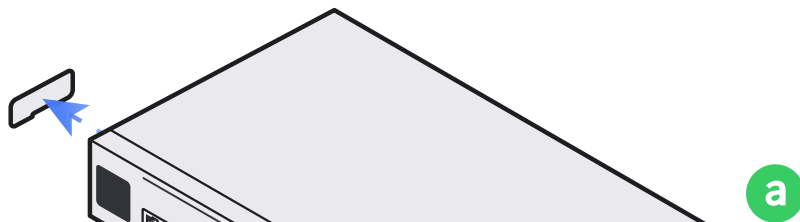
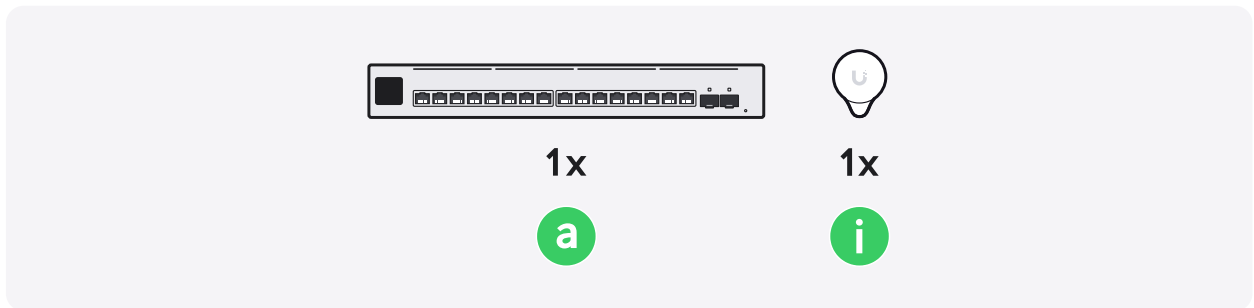
# 3

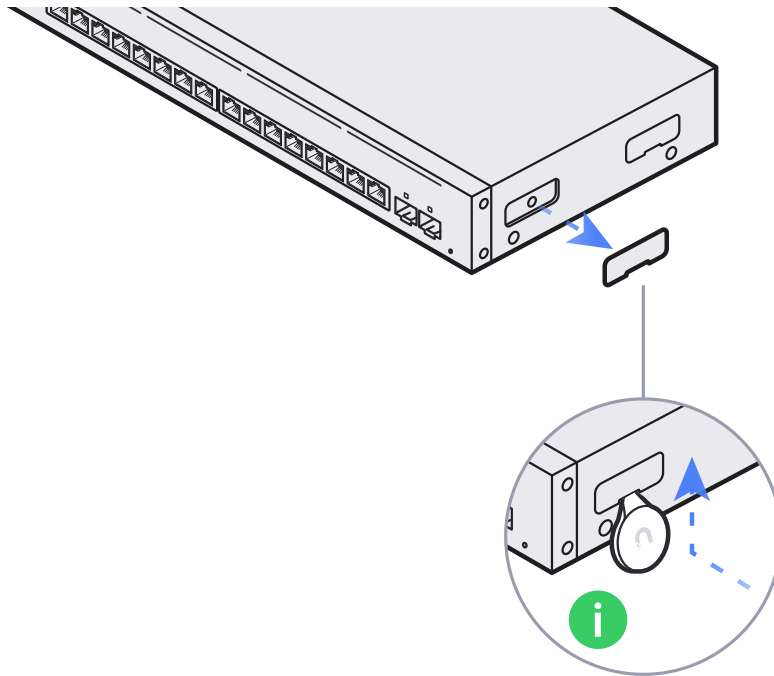
		
2x	4x	M4 4x
		





4



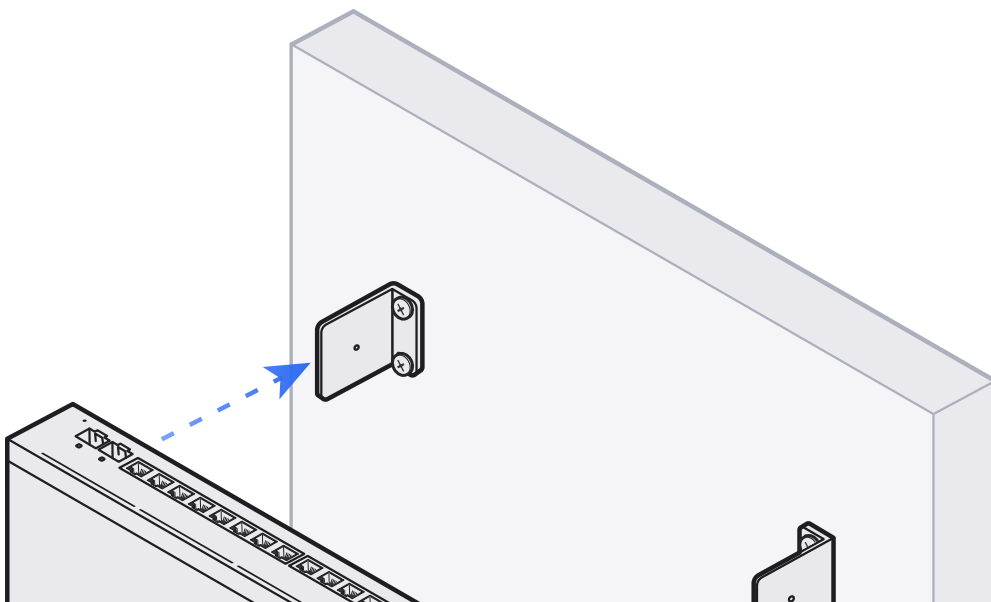


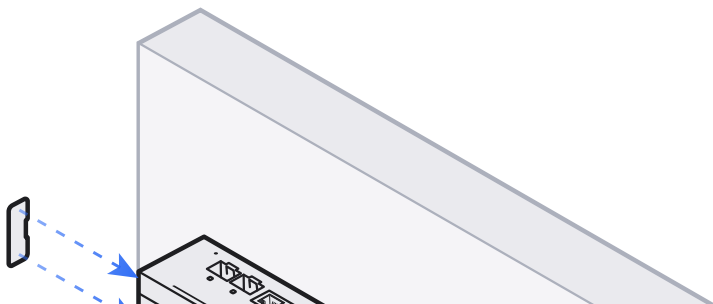
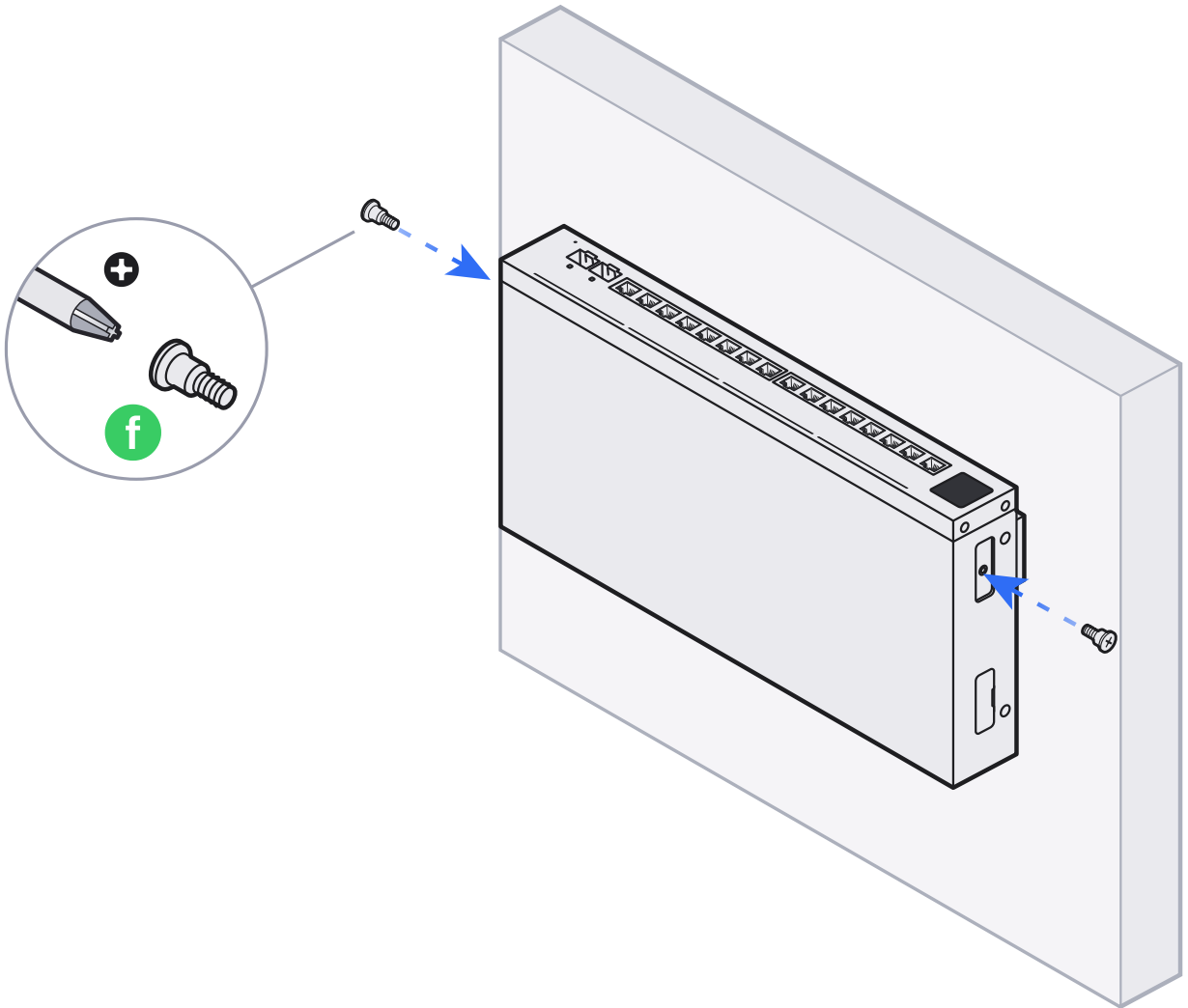
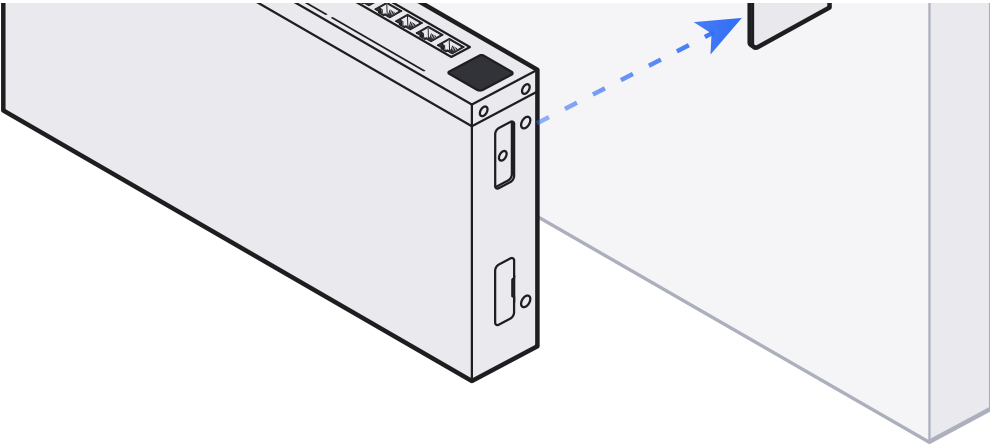
# 5

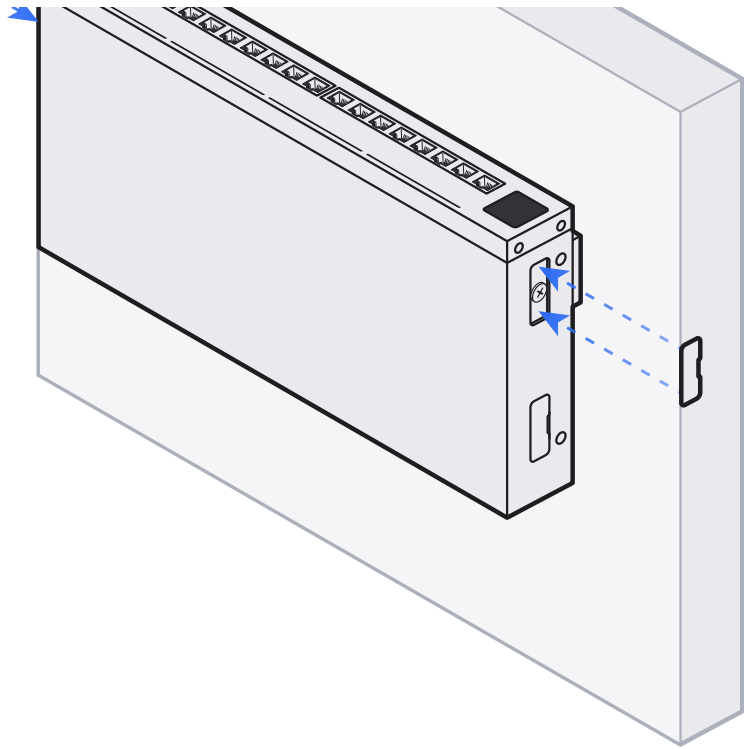
M3



2x







6



1x

g



1x

h

A



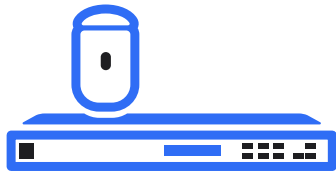
B



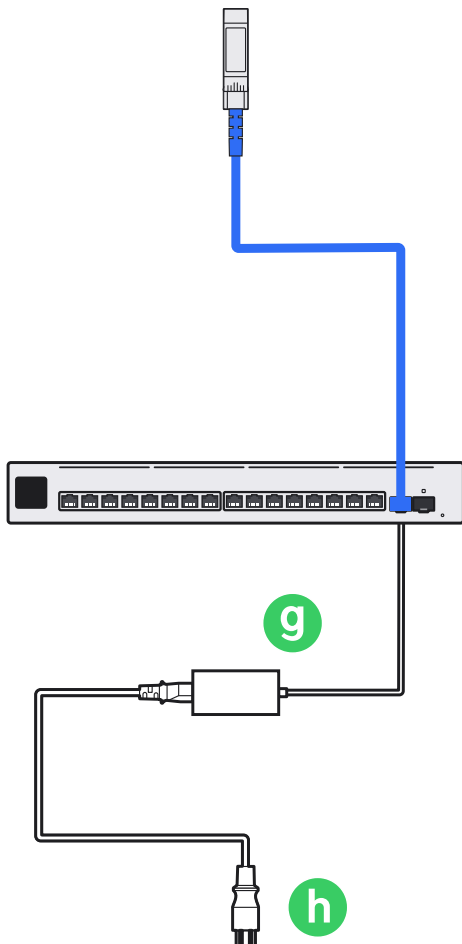
10G



Internet



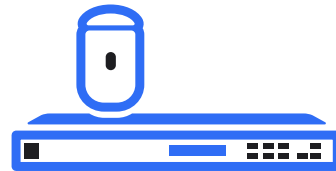
UniFi Cloud Gateway



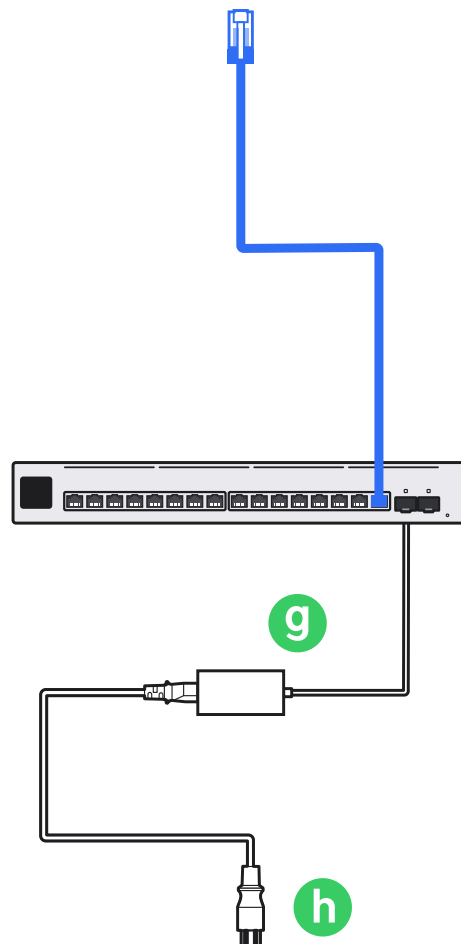
2.5G



Internet

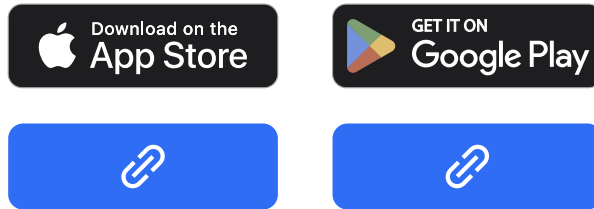


UniFi Cloud Gateway





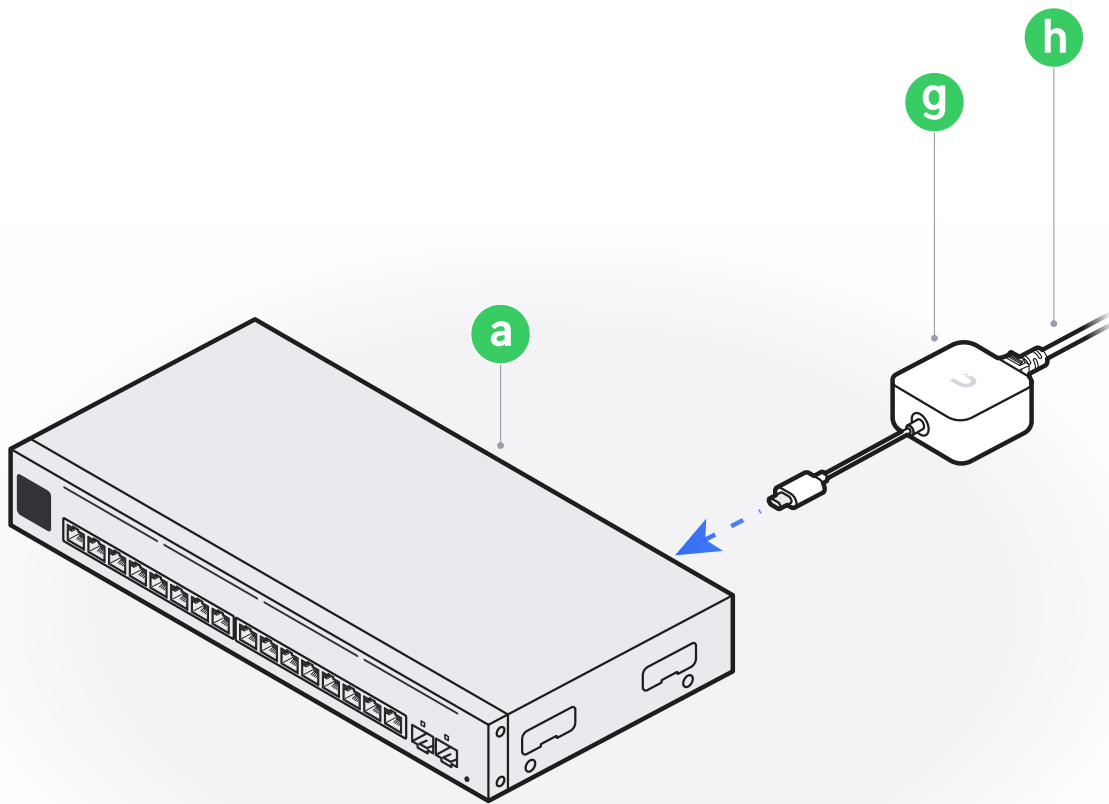
7



If you need further assistance, visit our [Help Center](#) or contact [Ubiquiti Support](#).

©2024 Ubiquiti Inc. All rights reserved. Ubiquiti, the Ubiquiti U logo and UniFi are trademarks or registered trademarks of Ubiquiti Inc. in the United States and in other countries. Apple and the Apple logo are trademarks of Apple Inc., registered in the U.S. and other countries. App Store is a service mark of Apple Inc., registered in the U.S. and other countries. Android, Google, Google Play, and the Google Play logo are trademarks of Google LLC.



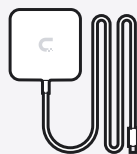


1



1x

a



1x

g



1x

h

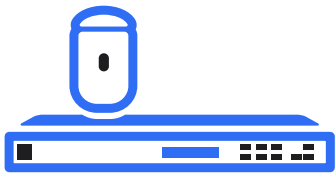
**A**



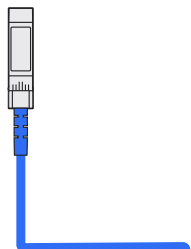
**10G**



**Internet**



**UniFi Cloud  
Gateway**



**a**

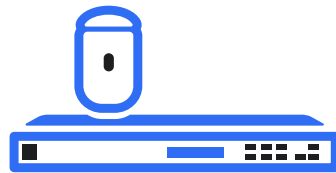
**B**



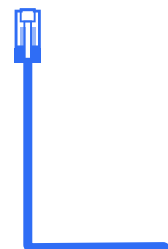
**2.5G**



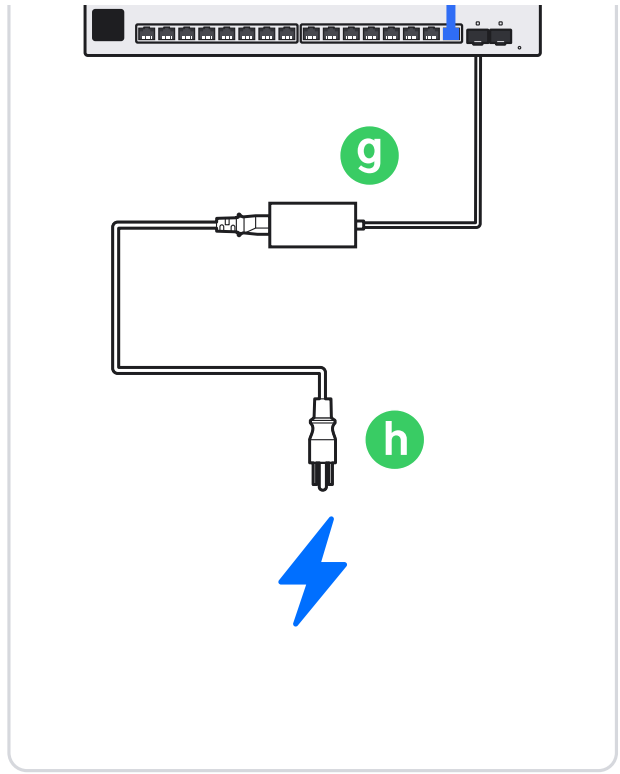
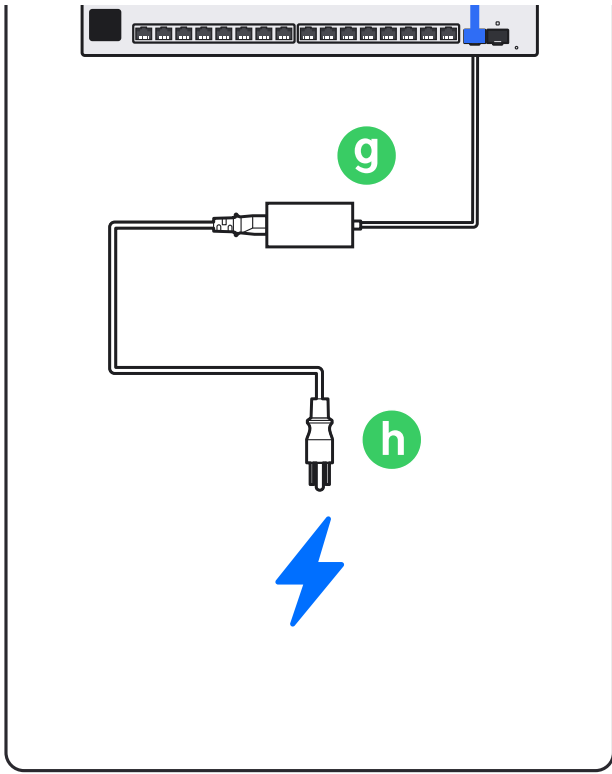
**Internet**



**UniFi Cloud  
Gateway**



**a**



# 2





If you need further assistance, visit our [Help Center](#) or contact [Ubiquiti Support](#).

©2024 Ubiquiti Inc. All rights reserved. Ubiquiti, the Ubiquiti U logo and UniFi are trademarks or registered trademarks of Ubiquiti Inc. in the United States and in other countries. Apple and the Apple logo are trademarks of Apple Inc., registered in the U.S. and other countries. App Store is a service mark of Apple Inc., registered in the U.S. and other countries. Android, Google, Google Play, and the Google Play logo are trademarks of Google LLC.