



# TITAN PRO V2

GAMING CHAIR

## ASSEMBLY DRAWING

部件图示 / 部件圖示



## FEATURES 产品特点 / 產品特點

### English

- LiftBack advanced lumbar support system preserves lower back health.
- Classic large-size design.
- Magnetic memory foam neck pillow.
- 4D armrest.
- Aluminum alloy 5 Star base.

### Русский

- Система продвинутой поддержки поясницы LiftBack сохраняет здоровье нижней части спины.
- Классический большой размер.
- Магнитная подушка для шеи с эффектом памяти.
- 4D подлокотники.
- Основание из алюминиевого сплава с 5 звездами.

### Español

- El sistema avanzado de soporte lumbar LiftBack preserva la salud de la parte baja de la espalda.
- Diseño clásico de gran tamaño.
- Almohada para el cuello de espuma con memoria magnética.
- Reposa brazos 4D.
- Base de 5 estrellas de aleación de aluminio.

### Português

- O sistema avançado de suporte lumbar LiftBack preserva a saúde da parte inferior das costas.
- Design clássico de tamanho grande.
- Almofada para pescoço de espuma com memória magnética.
- Apoio de braço 4D.
- Base de 5 estrelas em liga de alumínio.

### Deutsch

- Das LiftBack-Advanced-Lendenstützsystem bewahrt die Gesundheit des unteren Rückens.
- Klassisches Design in großer Größe.
- Magnetisches Memory-Foam-Nackepolster.
- 4D-Armlehnen.
- 5-Sterne-Aluminiumlegierungsbasis.

### 日本語

- LiftBack 高度な腰部サポートシステムは、下背部の健康を守ります。
- クラシックな大きなサイズデザイン。
- マグネットメモリーフォームの首枕。
- 4Dアームレスト。
- アルミニウム合金5スター基地。

### Français

- Le système de soutien lombaire avancé LiftBack préserve la santé du bas du dos.
- Design classique de grande taille.
- Oreiller de nuque en mousse à mémoire magnétique.
- Accoudoirs 4D.
- Base en alliage d'aluminium 5 étoiles.

### 簡中

- LiftBack 腰部支撐系統保護下背部健康
- 經典大尺寸設計
- 磁吸式記憶頸枕
- 4D 可調式扶手
- 鋁合金五星腳底座

### Українська мова

- Система передового підтримки попереку LiftBack зберігає здоров'я нижньої частини спини.
- Класичний великий розмір дизайну.
- Магнітна меморі-фоамова подушка для шиї.
- 4D підлокітнички.
- Основи з 5 зірок з алюмінієвого сплаву.

### 繁中

- LiftBack 腰部支撐系統保護下背部健康
- 經典大尺寸設計
- 磁吸式記憶頸枕
- 4D 可調式扶手
- 鋁合金五星腳底座

### 한국어

- LiftBack 고급 요추 지지 시스템은 허리 건강을 보호합니다.
- 클래식 대형 디자인
- 자석 메모리 폼 목베개
- 4D 팔걸이
- 알루미늄 합금 5스타 베이스

### Seat Height Lift

椅座高度調整  
椅座高度調整



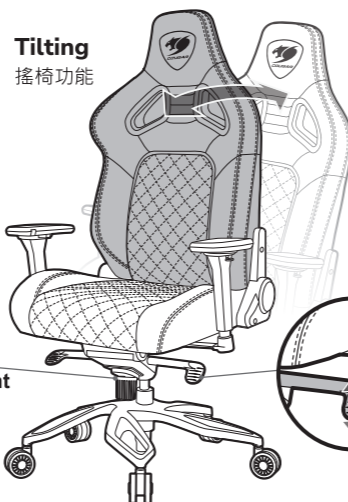
### Angle Adjustor

椅背傾仰調整  
椅背傾仰調整



### Tilting

搖椅功能



Loose  
Tight

彈力調整, 彈力調整

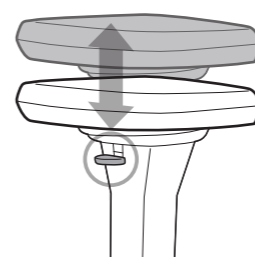
Unlock  
Lock

Unlock  
Lock

### 4D Armrest

4D 扶手

Up-Down  
上下升降

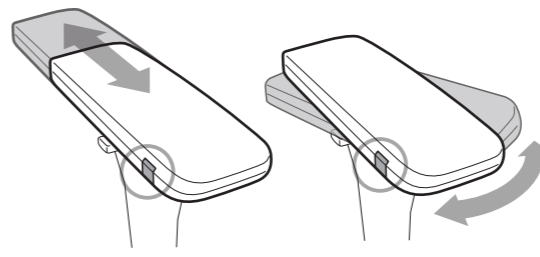


Front-Back

前后滑动, 前後滑動

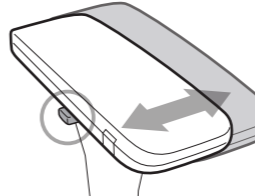
Rotate

旋转, 旋轉



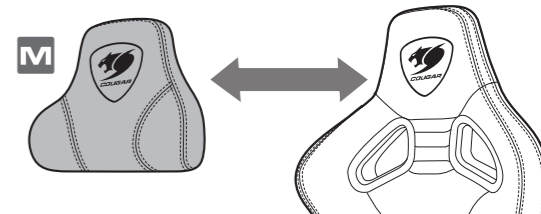
Left-Right

左右滑动, 左右滑動



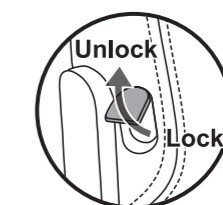
### Magnetic Neck Pillow Cushion

磁吸式记忆颈枕 / 磁吸式記憶頸枕



### LiftBack Lumbar Support System

LiftBack 腰部支撐系統 / LiftBack 腰部支撐系統



### How to retract the lumbar support

如何收回腰部支撐

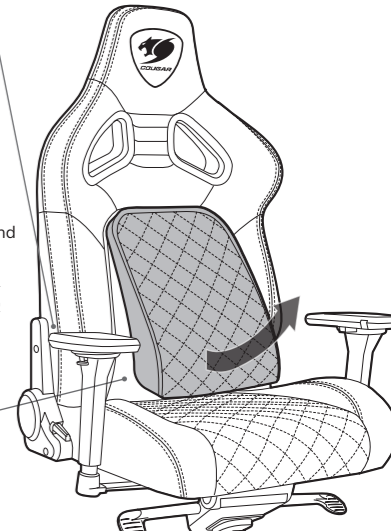
Please lift the paddle to unlock and push against the lumbar support.





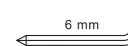

請抬起撥片解鎖，並推靠腰部支撐

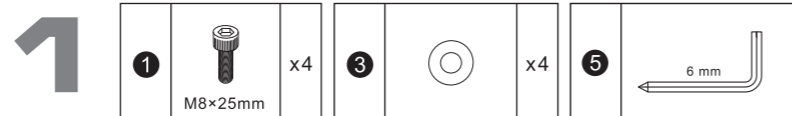
請抬起撥片解鎖，並推靠腰部支撐



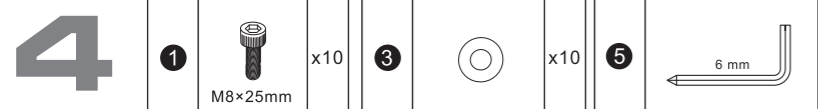
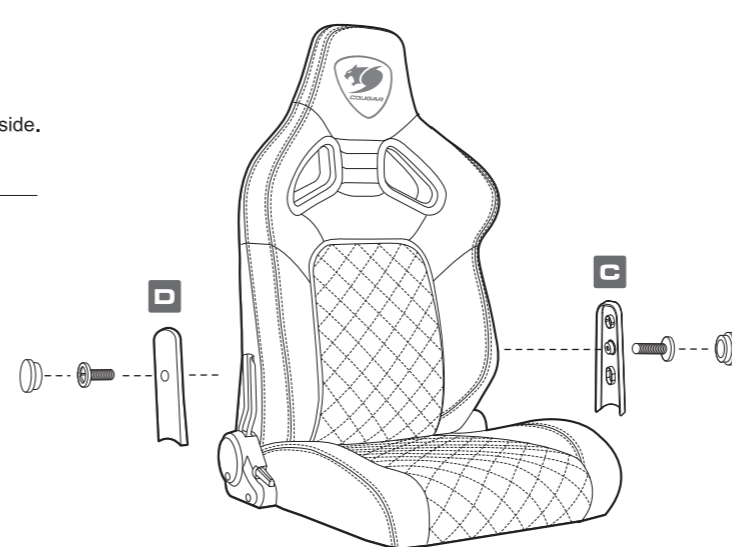
Please do not place your hand inside the lumbar support.  
請勿將手放入腰部支撐內部



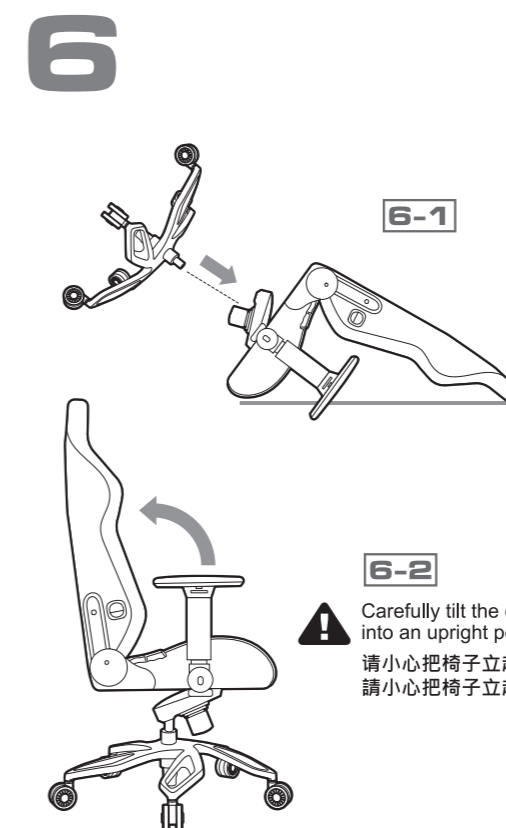
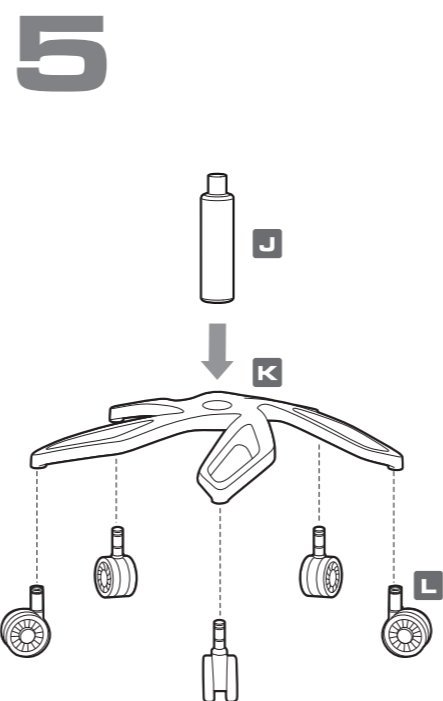
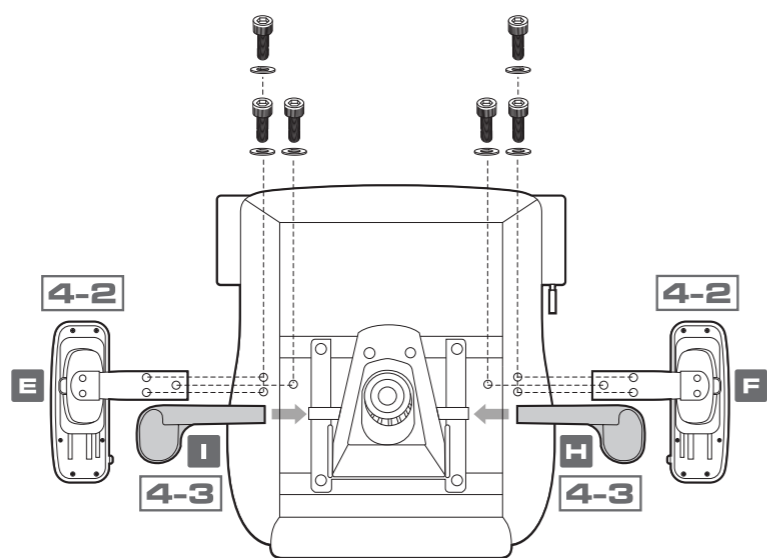
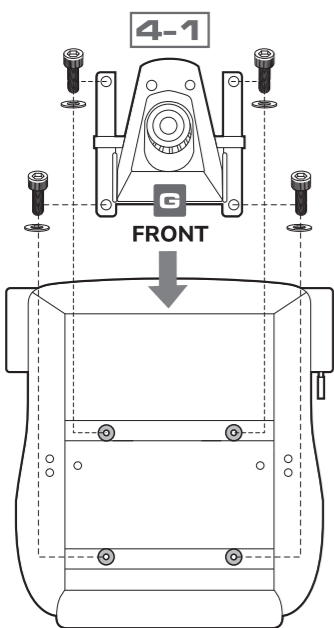
<b>1</b>	<b>2</b>	<b>3</b>
		
M8×25mm	M5×16mm	
x14	x2	x14
<b>4</b>	<b>5</b>	<b>6</b>
		
x2	x1	x1



**!** Screws are pre-installed on the chair.  
螺丝已预装在椅子部件上。  
螺絲已預裝在椅子部件上。



**!** Screws are pre-installed on the chair.  
螺丝已预装在椅子部件上。  
螺絲已預裝在椅子部件上。



MANUFACTURER CONTACT

制造商联系方式 / 製造商聯繫方式

**COUGAR** COUGAR USA Technical Service  
Tel: (833) 256-3778  
www.cougargaming.com Mail:rma@compucaseusa.com



Official website

Compucase Enterprise Co.,Ltd.  
All rights reserved.

Maximum stationary weight capacity 150kg. Please do not place any body or object above 150kg on this chair. From spaces in which it could get caught or be injured.

本产品最大承受重量150公斤。请勿将150公斤以上的物体放在椅子上。  
本產品最大承受重量150公斤。請勿將150公斤以上的物體放在椅子上。

DISTRIBUTOR



GLOBAL WARRANTY POLICY

全球保固条款 / 全球保固條款

WARRANTY PERIODS OF COUGAR GAMING DEVICES

Product : COUGAR TITAN PRO V2 Gaming Chair  
Warranty : Please refer to our official website.  
(https://cougargaming.com/us/support/warranty/)  
保固政策：中国地区购买，请参考中国地区官方网站。  
(http://cougargaming.com.cn/support/warranty/)



詳細保固條件  
請掃描QR Code

This warranty gives you specific legal rights. You may also have other rights granted under local law. These rights may vary.

WARRANTY AGREEMENT

If the product has defects in material or manufacture, COUGAR will provide product repair and replacement service within the warranty period.  
Our warranty service is based on the date of the invoice or warranty card.

CONDITIONS WHERE FREE MAINTENANCE IS NOT PROVIDED

- Any fault or damage caused by natural disasters (including storm, fire, flood, thunder, earthquake, etc).
- Any fault or damage caused by accidental factors and man-made reasons (including hit, scrape, crash, moving, compression, stain, corrosion, riot, misuse, malicious damage, etc).
- Use in an improper operating environment (including high temperature, high humidity, water inflow, etc).
- Inability to provide the product warranty card, purchase receipt or invoice to prove the product is still within the warranty period and the shipping date of the product is out of warranty.
- The warranty card has been altered or its number is hard to identify.
- The warranty period has expired.

- Any fault or damage caused by non-compliance with regulations stated on the user manual or improper, rough and careless treatment.
- COUGAR is not liable for any damage of life and limb or damage or loss of property caused by or during COUGAR products' use as or with medical equipment, military equipment, traffic equipment and disaster prevention systems.
- COUGAR's warranty liability is limited to repair or replacement. The decision on whether to repair or replace belongs exclusively to COUGAR.
- The product is not acquired from an authorized distributor of the company or is acquired from illicit sources.
- Paper carton, instruction and other accessories are not warranted.

DISCLAIMERS

- COUGAR products should not be used as critical components in life support devices.
- COUGAR is not liable for any damage of life and limb or damage or loss of property caused by or during COUGAR products' use as or with medical equipment, military equipment, traffic equipment and disaster prevention systems.
- COUGAR is, to the extent not prohibited by law, not liable for any damages; expenses; lost data, revenues, savings or profits; or any incidental or consequential damages happened while the use of a defective product from COUGAR or due to its use.

LEGAL NOTICES

This manual was created by Compucase Enterprise and may not be completely or partially copied, passed on, distributed or stored without written consent by Compucase Enterprise.  
COUGAR® is a registered brand of Compucase Enterprise Other product and company names mentioned in this documentation may be brands or trademarks of their respective owners.  
Compucase Enterprise reserves the right to make changes concerning the contents of the manual and the technical data of the product without previous announcement.

WARNING

- To adjust the chair height, gently pull the lever up. Do not use excessive force to pull the lever.
- Please wear protective gloves when assembling the chair. It is your own responsibility to use appropriate protection to prevent any physical damage.
- When rocking the chair, using it in any other way or adjusting the height, inclination, position or balance of the chair or any of its components, please pay attention to your hand's position and keep it away from spaces in which it could get caught or be injured.
- Do not make fast or violent movements when the chair is in movement.
- Do not touch any of the chair's adjustment controls to prevent affecting its stability and causing a potentially dangerous fall.
- When reclining the chair to its full extent, set the related control level in lock position and keep both feet on the ground, as well as abstain from any violent, rough or strong movement which could cause the chair to tip over.
- Keep in mind that this chair is designed only for sitting and reclining, and that it should be used only for those uses.
- Do not sit on the edge of the chair or the arm rests.
- Do not place the chair in a location in which it is likely to be subjected to prolonged sunlight exposure.
- The product's colors might fade when exposed to sunlight.
- Do not use abrasive products or scrub energetically when cleaning. Please stick to gentle products suitable for delicate materials.
- All parts should be checked monthly to confirm their integrity and to make sure that the screws are not loose.
- If any part of the product is or appears to be damaged, missing or loose, please contact the local distributor and do not use the product.

ДАТА ИЗГОТОВЛЕНИЯ ПРОДУКЦИИ

год и месяц изготовления продукции указаны в серийном номере продукта. (существует 2 способа определения даты изготовления, оба способа описаны ниже)

- После S/N: первые две цифры означают год, вторые две – месяц изготовления. Например, S/N: H1702000001 означает, что товар был произведен в феврале 2017 года.
- После S/N: если указаны буквы, то две буквы представляют цифры из таблицы ниже, и означают год, следующие две цифры – месяц изготовления. Например, S/N: DAG02REV1000001 означает, что товар был произведен в феврале 2017 года.

A	B	C	D	E	F	G	H	I	J
1	2	3	4	5	6	7	8	9	0

• Например, AG = 17 = 2017 год

